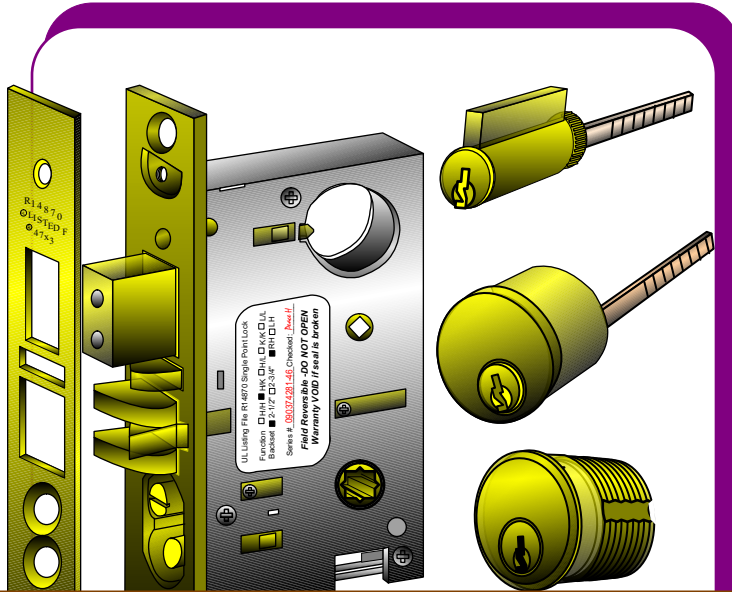


# baton®

Security Products since 1973



**Catalogue  
2024.14  
Decorative  
Door  
Hardware**

## **Chapter D**

- 'D' Mortise Lock Cases
- Deadbolt Assemblies
- Deadbolt Cylinders & Screws
- Latch bolts, standard & custom
- Locksets & Interconnect
- Accessories

Baton Security Products  
11521 Salinaz Drive,  
Garden Grove,  
CA 92843 USA

Tel: (714) 590 6969  
Fax: (714) 590 6960

Tooling, manufacturing as well as purchasing stock items are additional benefits of doing business with Baton.

[www.batonlockusa.com](http://www.batonlockusa.com) [www.batonhardware.com](http://www.batonhardware.com)

Email : [Sales@batonlockusa.com](mailto:Sales@batonlockusa.com)

## Terms and Freight Policy -

All prices are based on FOB our warehouse. Net 30 days can be arranged upon approval on open account others will be prepaid. Any past due account is subject to a financial charge at 1.5% on unpaid balance billed monthly. No further shipment will be honored until account is brought back to current. Service charges will apply to all the returned checks. Unless you specify otherwise, will use a carrier and route of our choice. Claim for loss or damage in transit should be made by you against the carrier. All goods are shipped at the customers risk; our responsibility ceases upon delivery in good order to the carrier.

## Receipt and Return Goods Policy -

All goods are shipped and invoiced FOB our warehouse plus the freight costs. Unless you specify otherwise, we will use a common carrier and route of our choice. Special arrangement may be available and subject to our final confirmation. To protect your interest, it is suggested that to file the damage report with the carrier upon reception of damaged or open shipment.

Any discrepancy regarding the shipment must be claimed within 5 days after merchandise received. A RGA number must be obtained from our CSR prior to the merchandise returned. The RGA number is valid for 2 weeks from the date issued. All returns must be in original packaging and saleable condition. A 25% restocking charge and freight will apply to all goods returned within 60 days from date of invoice. A 35% restocking charge and freight will apply to all goods returned after 60 days from date of invoice. No merchandise held over 120 days from the date of invoice will be accepted for return. No returns will be accepted on special ordered, custom made or non-stock item, other than factory defect.

## Orders and Cancellations -

Order and/or cancellations will not be processed without written confirmation from customer. Any order shipped before written request of cancellation or change is received will incur handling charges as stated above. Special orders and custom made items are not cancelable after a period of 3 days from date of order. Partial orders shall be accepted by the customer and paid for at the contract prices and terms. Order received by Baton constitute acceptance of terms outlined in this document. Baton is not responsible for any loss or damage due to delays or extended delivery dates of goods.

## Limited Warranty -

Baton warrants that its products will be free from defects in materials and workmanship (excluding oxidation or discoloration) for a period of one year from the date of sales to the user. Our only obligation will be to replace the defective product or parts upon inspection, together with proof of purchase from one of our agents dated within the warranty period. **We assume no liability for any labor charges regarding the removal or reinstallation of the products; nor will we cover any freight, postage, traveling or handling expense relative to the product. Damage caused by accident, misuse, abuse or improper installation are not covered by this warranty. Except as expressly stated herein, there is no warranty, whether expressed or implied, provided by Baton. No other person has authority to assume any obligation or liability in addition to this warranty.**

## Validity and Special Note -

This catalogue with Price List enclosed is good for six (6) months from the date issued and supersedes all previous catalogues and Price Lists. Baton is not responsible for any typographic errors or errors in indication.

# Series D420 Solid Brass Low Profile Deadbolt Assemblage - Modern

**D01**

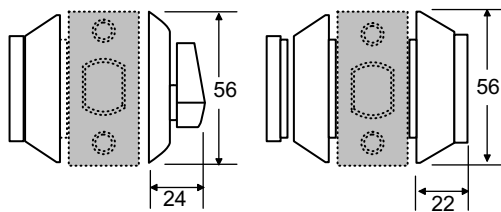
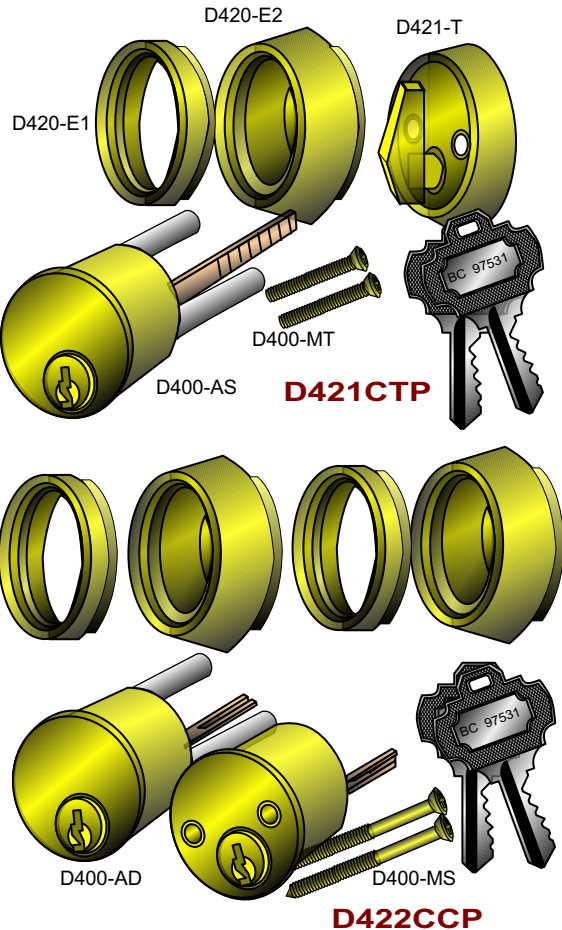
Baton's D420 Series Deadbolts provide quality, style and beauty, coupled with unmatched locking reliability. The 2 piece tandem machined brass security collars are designed for a wider range of application in door thickness. 'Schlage-C' keyway, supplied with 2 large bow brass keys per lock as standard. Available: Keyed Different (KD), Keyed Alike (KA) in groups, Master Keying (MK) and Construction Keying (CK).

Two styles are available from stock:  
Model D421 Single Cylinder Deadbolt features an easy way to operate interior thumb-turn and can be locked or unlocked from exterior with a key.

The model D422 Double Cylinder Deadbolt can be locked or unlocked from either side with a key.

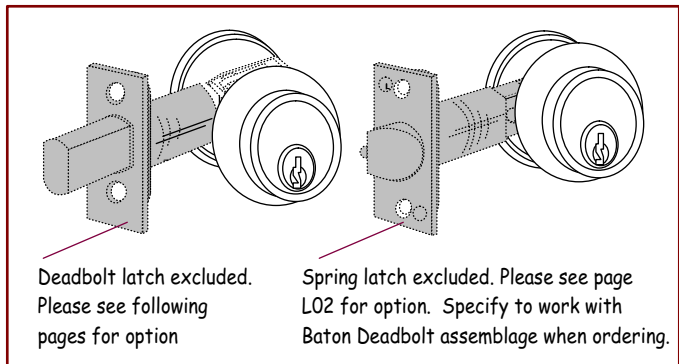
Ideal for 1-1/2" ~1-3/4" face bored mount.  
For 2-1/8" pre-bored door, please use the optional D400-C3 Adapter Ring as shown.  
Finishes: US10B, 15, 15A, 19, 26 & 3.

The Deadbolt assemblage excludes the Latch. Please see page D06 ~D09 and L02 for optional models and Backsets available from stock.



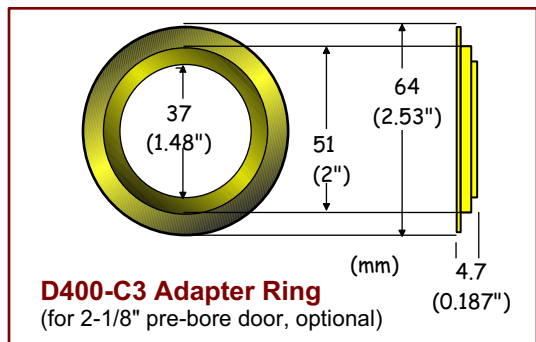
**D421CTP**

**D422CCP**



| Stock No.      | Description  |
|----------------|--|
| D421CTP - ____ | Deadbolt Cylinder/Trim assemblage, Modern, Single Cylinder |
| D422CCP - ____ | Deadbolt Cylinder/Trim assemblage, Modern, Double Cylinder |
| D400-C3 - ____ | Adapter Ring   |

(See page D03 for detailed spec of the trim rings)



# Series D460 Solid Brass Low Profile Deadbolt Assemblage -Classic

Baton's D460 Series Deadbolts have the same construction as D420 but come with classic style trim ring and interior Thumb Turn assembly. The 2-piece tandem forged brass security trim rings are designed for a wider range of application in door thickness. 'Schlage-C' keyway, supplied with 2 large bow brass keys per lock as standard. Available: Keyed Different (KD), Keyed Alike (KA) in groups, Master Keying (MK) and Construction Keying (CK).

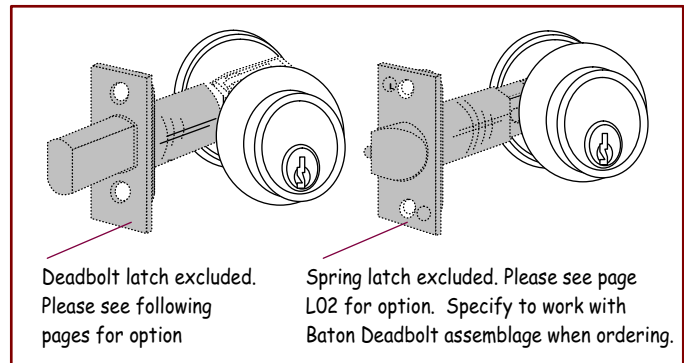
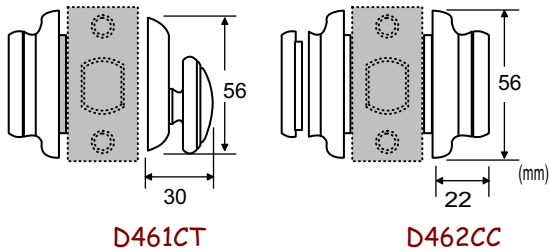
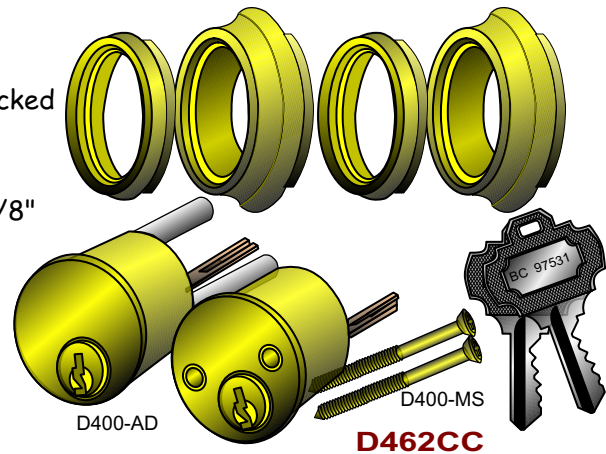
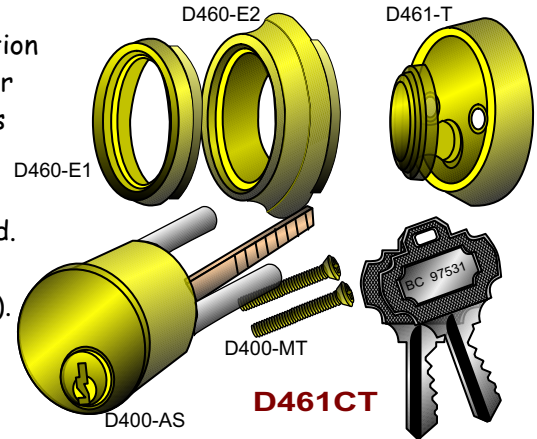
Two styles are available from stock:  
Model D461 Single Cylinder Deadbolt features an easy way to operate interior thumb-turn and can be locked or unlocked from exterior with a key.

The model D462 Double Cylinder Deadbolt can be locked or unlocked from either side with a key.

Ideal for 1-1/2" ~1-3/4" face bored mount. For 2-1/8" pre-bored door, please use the optional D400-C3 Adapter Ring as shown.

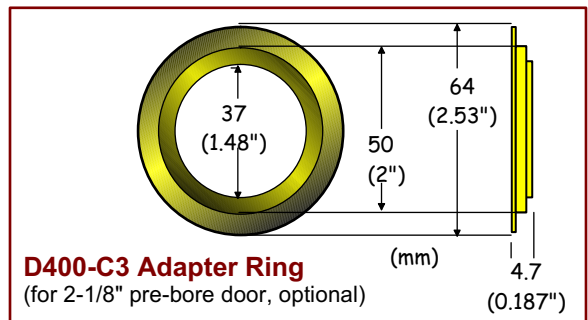
Finishes: US10B, 15, 15A, 19, 26, 3 & 5.

The Deadbolt assemblage package excludes the Latch. Please see page D06~D09 and L02 for optional models and Backsets available from stock.



| Stock No.  | Description   |
|------------|---|
| D461CT-___ | Deadbolt Cylinder/Trim assemblage, Classic, Single Cylinder |
| D462CC-___ | Deadbolt Cylinder/Trim assemblage, Classic, Double Cylinder |

(See page D03 for detailed spec of the trim rings)



# Series D4 Solid Brass Low Profile Trim Rings & Adapter Ring

**D03**

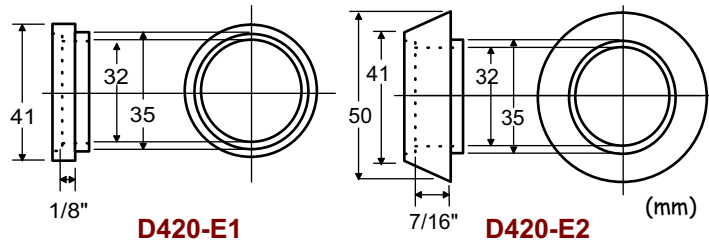
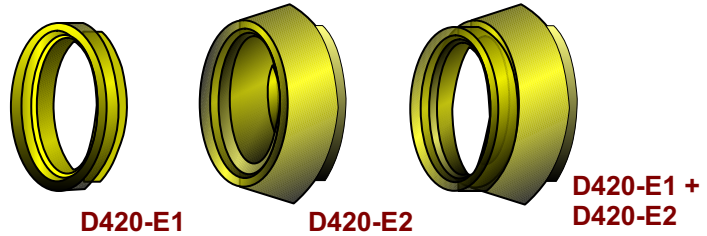
## Trim Rings

These beautiful quality small and main Trim Rings as used for the Series D420 and D460 Deadbolts can be purchased separately.

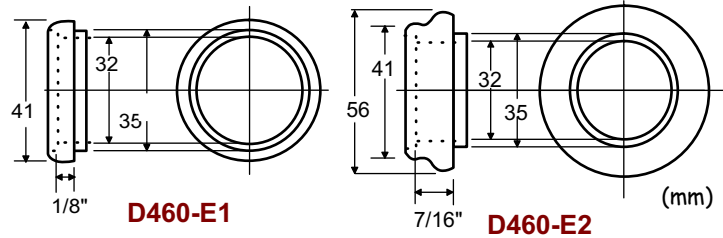
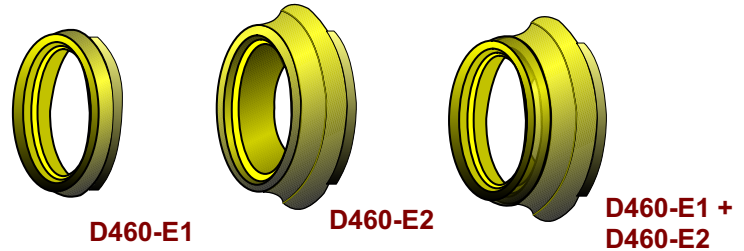
Finishes: US10B, 15, 15A, 19, 26 & 3.

| Stock No | Description.         |
|----------|----------------------|
| D420-E1  | Small trim ring 1/8" |
| D420-E2  | Main trim ring 7/16" |
| D460-E1  | Small trim ring 1/8" |
| D460-E2  | Main trim ring 7/16" |

## Contemporary Trim Rings



## Classic Trim Rings



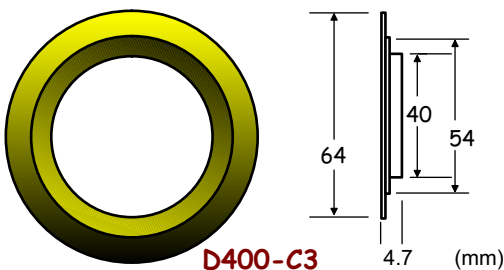
## Adapter Ring

Model D400-C3 Adapter Rings are constantly stocked for your convenience. These rings are utilized for installing locks on a 2-1/8" door preparation.

Finishes: US10B, 15, 15A, 19, 26, 3 & 32D.

| Stock No. | Size                 |
|-----------|----------------------|
| D400-C3   | dia 2.535" x 4.7mm H |

## Adapter Ring



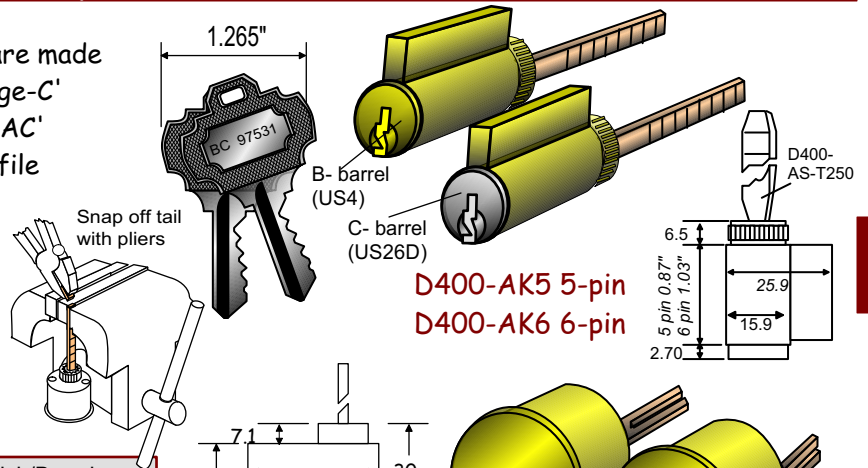
### Deadbolt Cylinder Code Interpretation Guide

**D400- A D B - 10B**

- Keyway**: A = Schlage-C
- Cyl Style**:
  - D = Double cyl
  - S = Single cyl
  - K = Key in knob
- Barrel Finish**:
  - B = US4 barrel
  - C = US26D barrel
  - D = Dummy
- Finish symbol** (see page A12): 10B

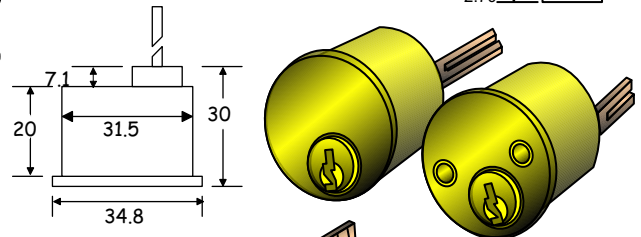


Baton's Knob & Deadbolt Cylinders are made of precision extruded brass. 'Schlage-C' keyway. Cylinders, including series 'AC' Mortise Cylinders and 'EC' Euro Profile Cylinders, can be keyed to the same system easily with Baton or most of the rekeying pin kits from markets. Satin chrome (C) or satin brass (B) Barrels for your option. Specify when ordering. Furnished with 2 large bow keys as standard.



**D400-AK5 5-pin**  
**D400-AK6 6-pin**

| Stock No. | Description        | Finish/Barrel   |
|-----------|--------------------|-----------------|
| D400-AK5C | Key in Knob, 5 pin | Satin Chrome /C |
| D400-AK5B | "                  | Satin Brass /B  |
| D400-AK6C | Key in Knob, 6 pin | Satin Chrome /C |
| D400-AK6B | "                  | Satin Brass /B  |

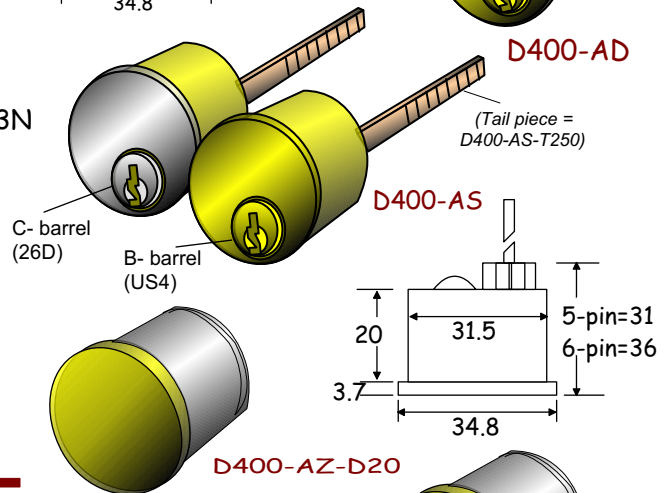


Finishes in stock / Deadbolt cylinders:

D400-AS : US10B,14,15,15A,19,26,26D,28,3,3N  
32, 32D, 4, 5, PVD & D3N, D32D

D400-AD : US10B, 15,15A,19,26,3,3N, 32D

| Stock No. | Description                 | Finish/Barrel   |
|-----------|-----------------------------|-----------------|
| D400-ADB  | Deadbolt cyl, 5 pin, double | Satin Brass /C  |
| D400-ADC  | "                           | Satin Chrome /B |
| D400-ASB  | Deadbolt cyl, 5 pin, single | Satin Brass /B  |
| D400-ASC  | "                           | Satin Chrome /C |

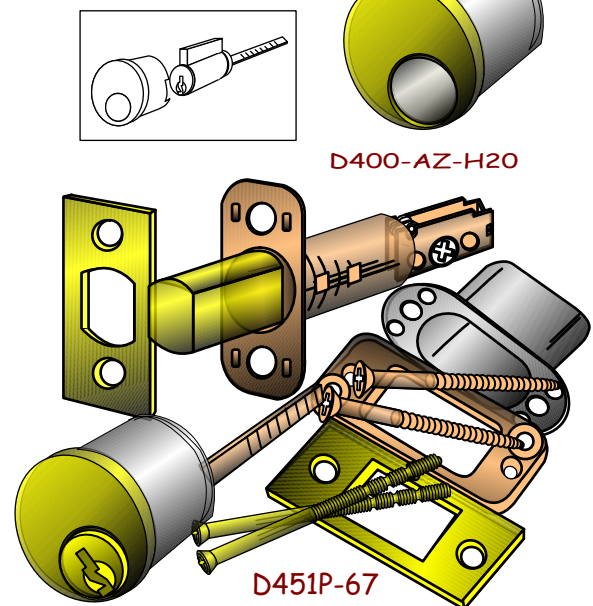


Remarks: 1) Bolting screw excluded. See page D05 for option  
2) Please see page D03 for cylinder ordering guide

Model D400-AZ-H20 Deadbolt Cylinder Housing is formed to accept D400-AK5 5-pin or AK6 6-pin standard Key-in-knob cylinder and works as a Deadbolt Cylinder. Finished cap over the universal zinc alloy housing. Model D451P-67 is a Deadbolt assemblage, furnished with Deadbolt cylinder, D400-DC67 Deadbolt Unit and mounting screws.

Finishes: US10B, 15, 15A, 19, 26D, 3, 32, 32D & 4

| Stock No.    | Description               | Finish                           |
|--------------|---------------------------|----------------------------------|
| D400-AZ-D20  | Dummy cylinder Housing    | 3, 32D                           |
| D400-AZ- H20 | Deadbolt Cylinder Housing | 10B,15,15A ,19<br>26D, 3, 32D, 4 |
| D451P-67     | Deadbolt Assemblage       | 10B,15,15A,19<br>26D,3,32D,4     |

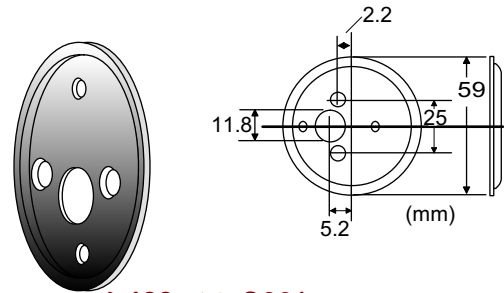


Remark: Please refer to page A12 for the definition of finish symbols.

D05

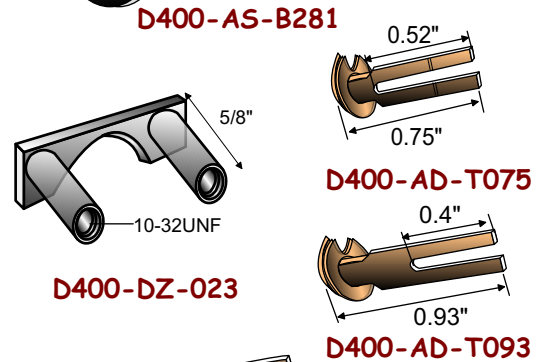
Backup plate for Single Deadbolt Cylinder, stainless steel  
The Deadbolt Bracket, steel construction, is designed for using on communication door mount.

| Stock No.    | Description                            |
|--------------|--|
| D400-AS-B281 | Brass backup plate, dia59.2 x 1.5mm T. |
| D400-DZ-023  | Deadbolt Bracket                       |



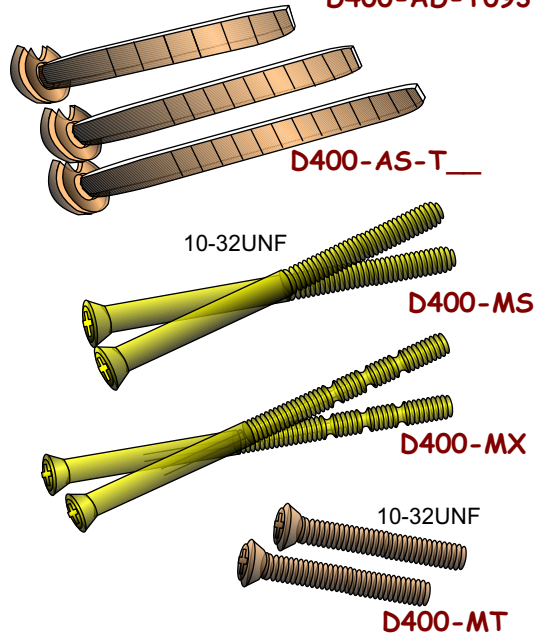
Standard & Extended Tail Piece for Deadbolt Cylinder, Steel, with snapable segments in 1/4" increments. Packed 10 pcs per bag.

| Stock No.    | Description/Size ( L x W x T )               |
|--------------|--|
| D400-AD-T075 | Tail piece f/double 0.75" x 0.244" x 0.085"  |
| D400-AD-T093 | Tail piece f/double 0.93" x 0.244" x 0.085"  |
| D400-AS-T170 | Tail piece f/single, 1.70" x 0.228" x 0.078" |
| D400-AS-T227 | Tail piece f/single, 2.27" x 0.232" x 0.078" |
| D400-AS-T232 | Tail piece f/single 2.32" x 0.275" x 0.082"  |
| D400-AS-T250 | Tail piece f/single 2.5" x 0.25" x 0.082"    |
| D400-AS-T400 | Tail piece f/single 4" x 0.252" x 0.078"     |



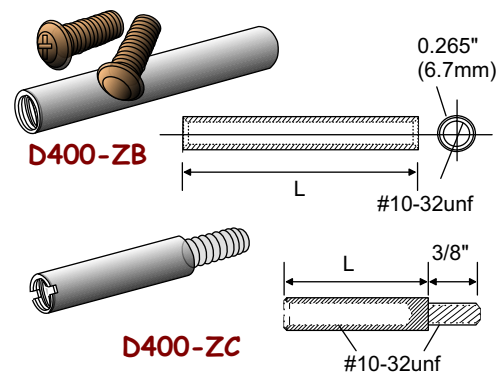
Bolting Screws are made of steel. 3 sizes are available. Packed 10 pcs (5 pairs) per bag. Finishes: US10B, 14, 15A, 19, 3, 5 & S(raw steel)

| Stock No. | Description                       |
|-----------|-----------------------------------|
| D400-MS-  | 10-32UNF x 2-1/4" L               |
| D400-MT-  | 10-32UNF x 1-1/4" L               |
| D400-MX-  | 10-32UNF x 3-1/16"L w/3 ring cuts |



Screw Posts are made of steel and are nickel plated. Models D400-ZB are tapped with 10-32unf threads at both ends, furnished with one each of the ball raised counter-sunk head screws, one each of the '+' and plain head. Ideal for through bolting of trim fastening. 2 sizes in finishes of US10B, 14, 15A, 3 & 5 are available. Models D400-ZC have 10-32unf threaded both for the male and female ends. Can be adapted on to Deadbolt cylinders (D400-AS/AD/AK-H20) for easy installation or work as extension for thicker door application. 4 sizes are in stock for your choice. Packed 10 per bag.

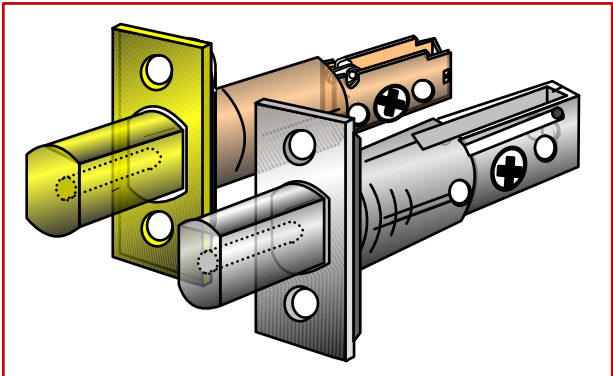
| Stock No.   | Description                          |
|-------------|--------------------------------------|
| D400-ZB 086 | Screw Post set, 3/4"                 |
| D400-ZB 185 | Screw Post set, 1-5/8"               |
| D400-ZC 050 | Screw Post/Extension Coupler, 1/2"   |
| D400-ZC 087 | Screw Post/Extension Coupler, 7/8"   |
| D400-ZC 100 | Screw Post/Extension Coupler, 1"     |
| D400-ZC 125 | Screw Post/Extension Coupler, 1-1/4" |



# Series D400 Heavy Duty Latch Bolt & Accessories (1)

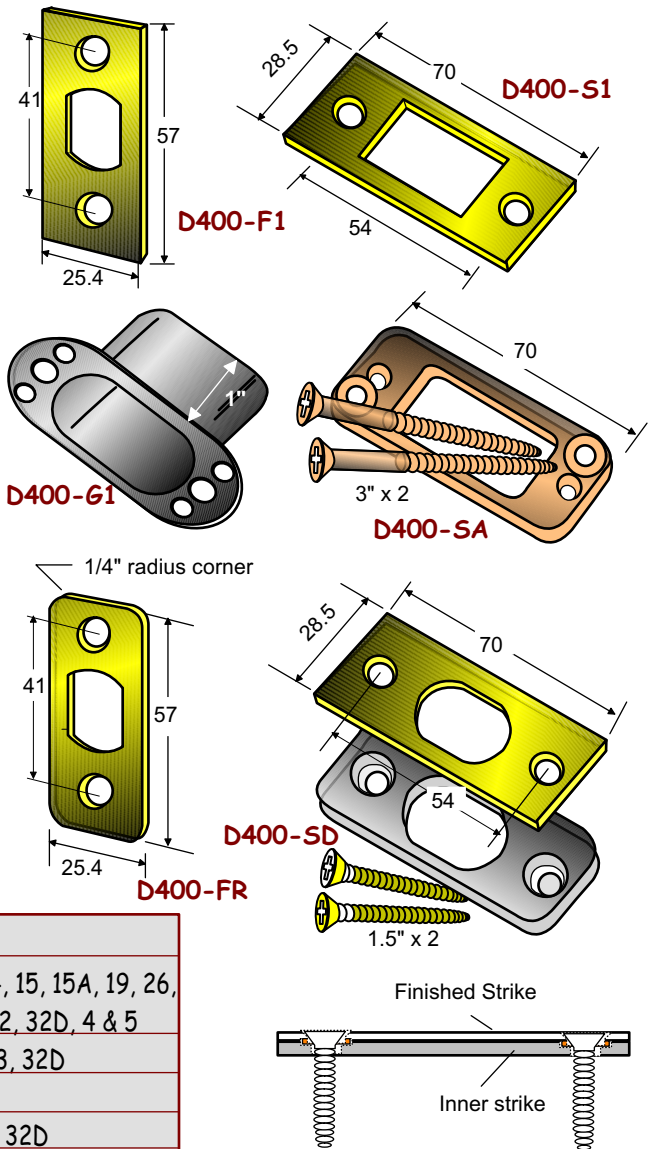
**D06**

Baton's Series D4 heavy duty Deadbolt Latches are of all metal construction, featuring a full 1" throw latch bolt. The latch bolts are made of solid brass with hardened steel anti-saw roller, stainless steel with hardened steel anti-saw roller or hardened steel to meet your security needs at all levels. Five models in the standard Bolt finishes, (See following pages) are offered for combination with some 18 finishes for the Faceplate/Strike assemblages, providing the widest range of choice for your finish selection.



Furnished with Faceplate (D400-F1), Strike (D400-S1), Security Strike (D400-SA), Dust Box (D400-G2) and Mounting Screws are standard. Please see the following chart for the finish matching.

| Faceplate/Strike Assemblage |                                    |
|-----------------------------|------------------------------------|
| Assemblage A                | US3, 4, 5, 9, 10B, 19, PVD         |
| Assemblage B                | US14, 15, 15A, 26, 26D, 32, 32D    |
| Assemblage C                | US10B, 3, 5 ( with UL + F symbol ) |
| Assemblage D                | US15A, 32D ( with UL + F symbol )  |



1/4" radius corner Faceplate and strong Strike combo D400-SD "The Double" are optional. D400-SC has a smaller opening for the Deadbolt tongue and served with a 3mm thick heavy duty inner strike that can be bolted together onto the door frame for added security.

All accessories can be ordered as separate purchase items. Please see the following chart for the details and finishes available from stock.

| Stock No. | Description                   | Finishes                        |
|-----------|-------------------------------|---------------------------------|
| D400-F1-  | Faceplate, square corner      | US10, 10B, 14, 15, 15A, 19, 26, |
| D400-S1-  | Strike                        | 26D, 3, 3A, 32, 32D, 4 & 5      |
| D400-FR-  | Faceplate, 1/4" radius corner | US10B, 15A, 3, 32D              |
| D400-SA-  | Security Strike               | Zinc plated                     |
| D400-SD-  | Strike, The Double            | US10B, 14, 3, 32D               |
| D400-G1-  | Dust Box                      | Plastic / Black                 |

Remark: Please refer to page A12 for the definition of finish symbols.

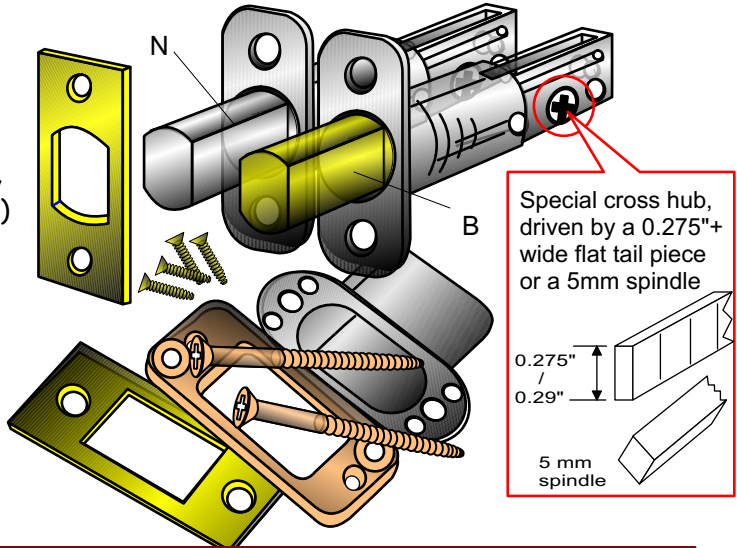
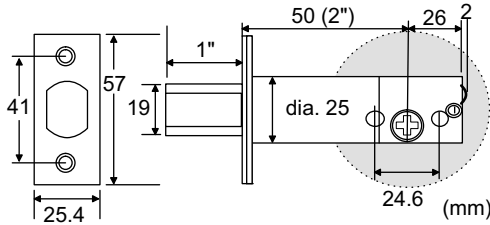


D07

**Model D400-DA50**

**Heavy Duty Deadbolt Latch, 2"**

- Case : Die Cast Zinc Alloy, nickel plated
- Bolt : Solid brass features anti-saw hardened steel roller/concealed, satin brass (B) or satin nickel (N)
- Backset : 50mm (2")

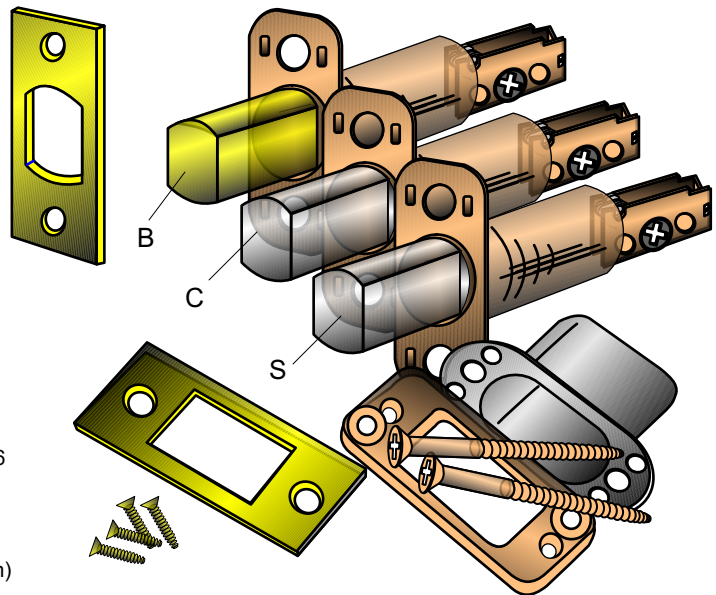
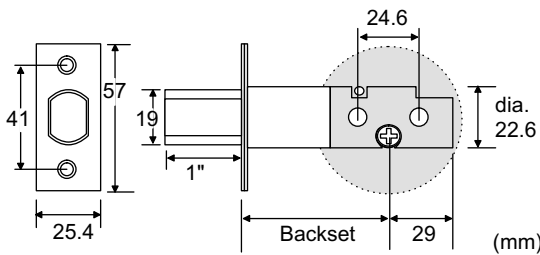


| Model No.      | Backset   | Case Material | Tongue Material | Tongue Finish    | Anti-saw Roller | Faceplate / Strike* |
|----------------|-----------|---------------|-----------------|------------------|-----------------|---------------------|
| D400-DA 50B-__ | 50mm (2") | Cast Alloy    | Extruded Brass  | Satin Brass (B)  | Concealed       | Assemblage A        |
| D400-DA 50N-__ | 50mm (2") | Cast Alloy    | Extruded Brass  | Satin Nickel (N) | Concealed       | Assemblage B        |

**Model D400-DB60/70**

**Deadbolt Latch, 60mm/70mm**

- Case : Steel, yellow zinc plated
- Bolt : -Solid brass features anti-saw hardened steel roller/concealed, satin brass(B) or satin chrome(C).
- Stainless Steel features anti-saw hardened steel roller/concealed,
- Backsets : 60mm (2-3/8"), 70mm (2-3/4")



| Model No.      | Backset      | Case Material | Tongue Material | Tongue Finish    | Anti-saw Roller | Faceplate / Strike* |
|----------------|--------------|---------------|-----------------|------------------|-----------------|---------------------|
| D400-DB 60B-__ | 60mm(2-3/8") | Steel         | Extruded Brass  | Satin Brass (B)  | Concealed       | Assemblage A        |
| D400-DB 60C-__ | 60mm(2-3/8") | Steel         | Extruded Brass  | Satin Chrome (C) | Concealed       | Assemblage B        |
| D400-DB 60S-__ | 60mm(2-3/8") | Steel         | Stainless Steel | Stainless S. (S) | Concealed       | Assemblage A        |
| D400-DB 70B-__ | 70mm(2-3/4") | Steel         | Extruded Brass  | Satin Brass (B)  | Concealed       | Assemblage A        |
| D400-DB 70C-__ | 70mm(2-3/4") | Steel         | Extruded Brass  | Satin Chrome (C) | Concealed       | Assemblage B        |
| D400-DB 70S-__ | 70mm(2-3/4") | Steel         | Stainless Steel | Stainless S. (S) | Concealed       | Assemblage A        |

\*\* - Faceplate/Strike assemblages - see page D06

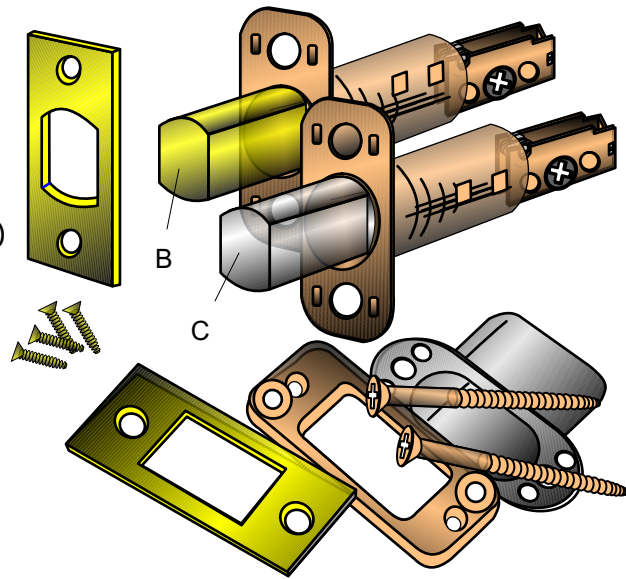
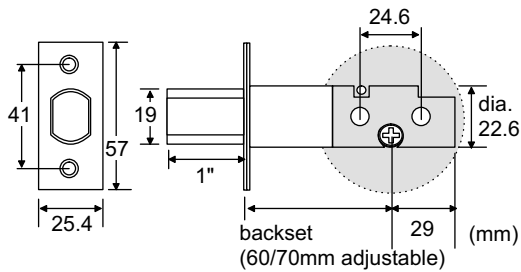
**Model D400-DC67**

Deadbolt Latch, 60/70 adjustable

Case : Steel, yellow zinc plated

Bolt : Solid brass features anti-saw hardened steel roller/concealed, satin brass(B) or satin chrome(C)

Backsets : 60mm (2-3/8") & 70mm (2-3/4")  
Adjustable



**D08**

| Model No.      | Backset / Adjustable | Case Material | Tongue Material | Tongue Finish    | Anti-saw Roller | Faceplate / Strike* |
|----------------|----------------------|---------------|-----------------|------------------|-----------------|---------------------|
| D400-DC 67B-__ | 60/70mm              | Steel         | Extruded Brass  | Satin Brass (B)  | Concealed       | Assemblage A        |
| D400-DC 67C-__ | (2-3/8" & 2-3/4")    | Steel         | Extruded Brass  | Satin Chrome (C) | Concealed       | Assemblage B        |

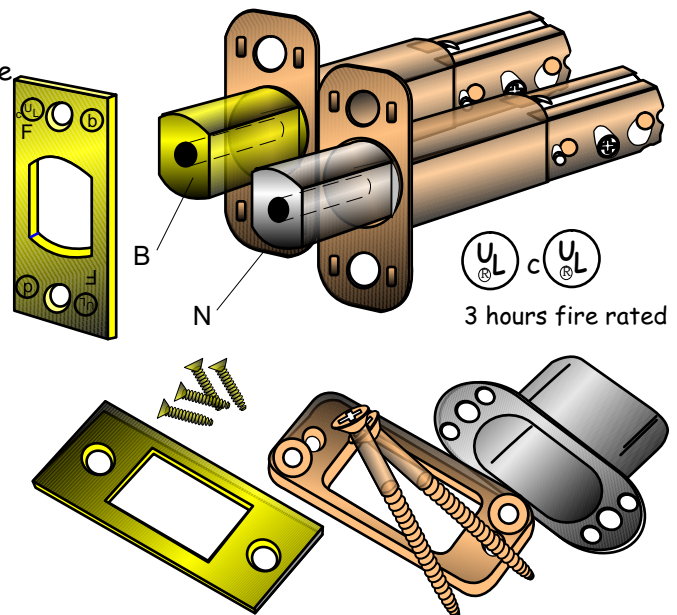
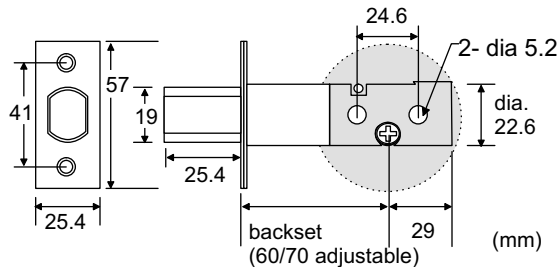
**Model D400-DF67**

Deadbolt Latch, UL+ F3 hours, 60/70 adjustable

Case : Steel, yellow zinc plated

Bolt : Solid brass features anti-saw hardened steel roller, satin brass (B) or satin nickel (N)

Backsets : 60mm (2-3/8") & 70mm (2-3/4")  
Adjustable



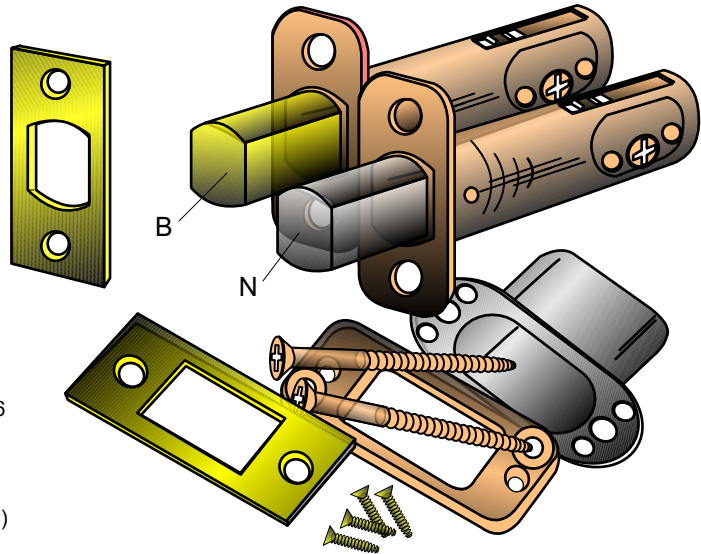
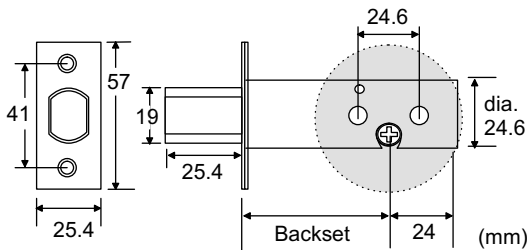
| Model No.      | Backset / Adjustable | Case Material | Tongue Material | Tongue Finish   | Anti-saw Roller | Faceplate / Strike* |
|----------------|----------------------|---------------|-----------------|-----------------|-----------------|---------------------|
| D400-DF 67B-__ | 60/70mm              | Steel         | Extruded Brass  | Satin Brass (B) | Yes             | Assemblage C        |
| D400-DF 67N-__ | (2-3/8" & 2-3/4")    | Steel         | Extruded Brass  | Satin nickel(N) | Yes             | Assemblage D        |

\*\* - Faceplate/Strike assemblages - see page D06

D09

Model D400-DH60/70  
Deadbolt Latch,

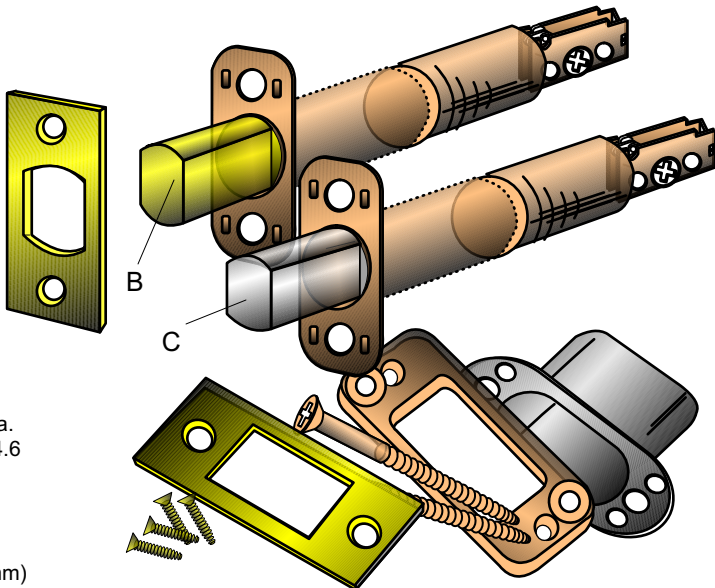
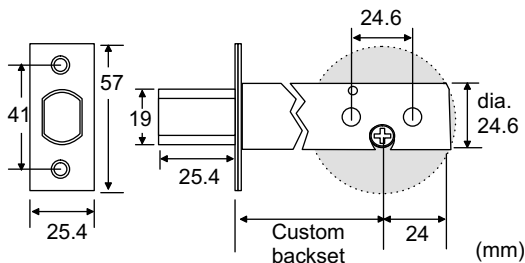
Housing : Steel, yellow zinc plated  
Latch tongue : Solid Hardened steel, satin  
brass(B) or satin nickel(N)  
Backsets : 60mm (2-3/8"), 70mm (2-3/4")



| Model No.      | Backset      | Case Material | Tongue Material | Tongue Finish    | Anti-saw Roller | Faceplate / Strike* |
|----------------|--------------|---------------|-----------------|------------------|-----------------|---------------------|
| D400-DH 60B-__ | 60mm(2-3/8") | Steel         | Hardened Steel  | Satin Brass (B)  | No              | Assemblage A        |
| D400-DH 60N-__ | 60mm(2-3/8") | Steel         | Hardened Steel  | Satin Nickel (N) | No              | Assemblage B        |
| D400-DH 70B-__ | 70mm(2-3/4") | Steel         | Hardened Steel  | Satin Brass (B)  | No              | Assemblage A        |
| D400-DH 70N-__ | 70mm(2-3/4") | Steel         | Hardened Steel  | Satin Nickel (N) | No              | Assemblage B        |

Model D400-DX 00

Custom made Extended Deadbolt Latch -  
Extended backset deadbolt Latch in  
various lengths can be ordered as  
custom made item. The Latch tongue  
can be ordered in satin brass or satin  
chrome; takes standard Faceplate and  
strike. Please call Baton's CSR for details.



| Model No.   | Backset | Case Material | Tongue Material | Tongue Finish    | Anti-saw Roller | Faceplate / Strike* |
|-------------|---------|---------------|-----------------|------------------|-----------------|---------------------|
| D400-DX 00B | Custom  | Steel         | Extruded Brass  | Satin Brass (B)  | Concealed       | Assemblage A        |
| D400-DX 00C | Custom  | Steel         | Extruded Brass  | Satin Chrome (C) | Concealed       | Assemblage B        |

\* - Faceplate/Strike assemblages - see page D06



# Series 'D500' Narrow backset Interior Mortise Lock Case

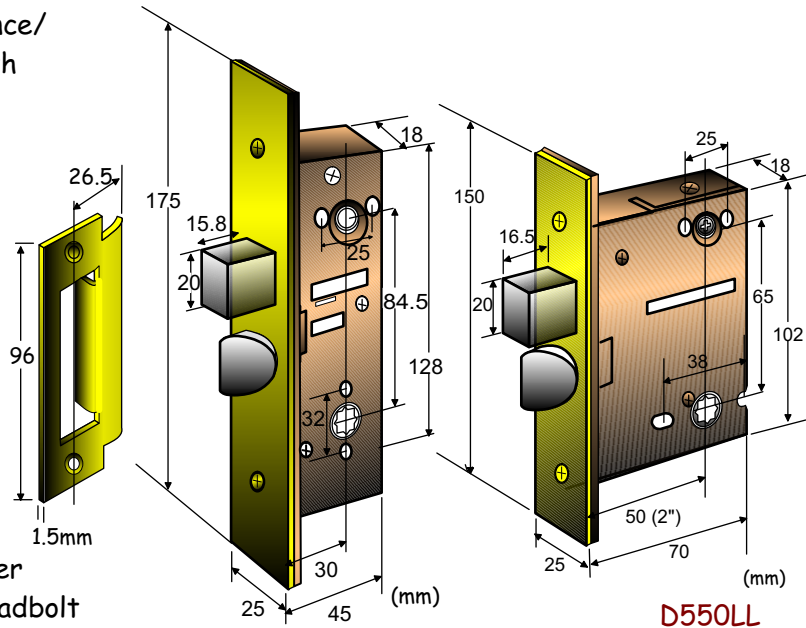
Baton models D530 & D550 Entrance/ Privacy narrow style lever strength Mortise Latch is constructed with quality metal working parts for smooth and durable operation.

Deadbolt is operated by Thumb Turn from inside, by key from outside. The non-handed spring latch is operated by Lever from either side. The Deadbolt and latch are supplied with chrome finish (D) only.

Both models require very little lever action to retract the bolt. The deadbolt is featured with a universal hub, and can be operated by a Turn piece as a privacy lock, or accommodated with a Single or Double Deadbolt cylinder (Baton D400-AS, D400-AD) as a storeroom lock.

Supplied with a Faceplate, Strike, Dust Box and Screws.

Hub size: 8.0mm on Square/  
7.3mm on Diamond  
Finishes : US10B, 3 and 32D



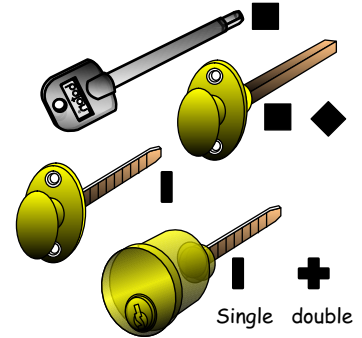
D530LL

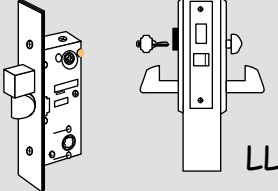
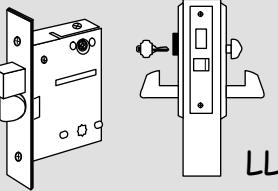
D550LL

D10



Models D530/550 feature a universal hub, work with any deadbolt cylinder, or a thumb turn that is constructed with a flat tail, or a 5 mm spindle

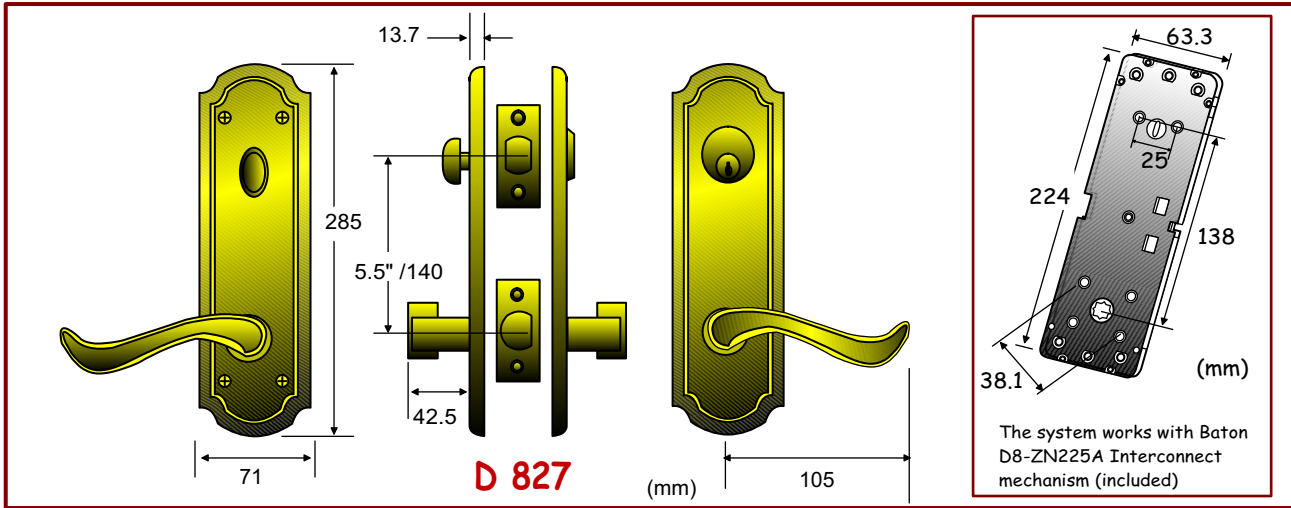


| Model No. | Backset           | Function  | Retracting         | Depiction  |
|-----------|-------------------|---|--------------------|--|
| D530LL D  | 1-3/16"<br>(30mm) | <b>Entrance (without egress)</b><br>Latch by Lever from either side.<br>Deadbolt by key outside, by Turn Piece (single cylinder) or key (double cylinder) inside. | 17 degree downward |  LL |
| D550LL D  | 2"<br>(50mm)      | <b>Entrance (without egress)</b><br>Latch by Lever from either side.<br>Deadbolt by key outside, by Turn Piece (single cylinder) or key (double cylinder) inside. | 30 degree downward |  LL |



# Model D827 Entrance Lock Set & Interconnect Mechanisms

D11



Baton's Model D 827 Interconnect Entrance Lock combines elegance, beauty and security with the strength of a deadbolt function. The Trim and Lever are made of forged brass, and features our quality deadbolt (series D4) with all brass cylinder (D400-AS), machined brass security collar, brass strike and the patented Tubular Latch (series LT-783/786) to add even more security and durability. Both the latch and deadbolt are retracted simultaneously. One quick twist of the lever inside unlocks both the latch and deadbolt. Thus panic-proofing a residence without compromising security, at the same time, adding a touch of class. The 5-7/16" Lever to deadbolt (center to center) design fits most of the pre-bored doors on the market. The non-handed design of the lever allows it to be installed either way. Available to order with 2-3/8" (60mm) or 2-3/4" (70mm) backsets. Please specify when ordering. Furnished with Dust boxes and mounting Screws. Finishes: US10B, 15A, 26, 26D & 3

| Stock No.    | Description                                 |
|--------------|---|
| D827-283/286 | Entrance lock set, 2-3/8" or 2-3/4" backset |

The Interconnect Mechanisms can also be purchased separately.

3 models are available:

D8-ZN200A -

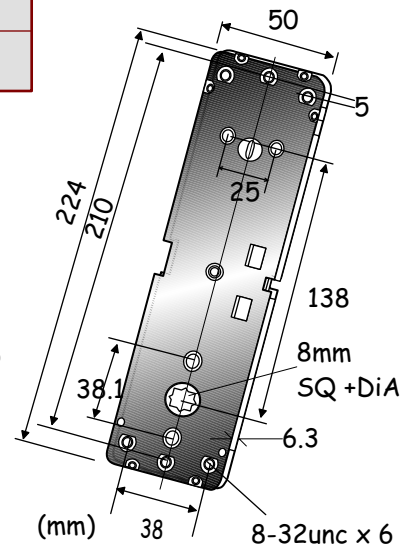
works with Baton series LT583/586/883/886 Tubular Latch, that a 28 degrees twist of the Lever inside unlocks the latch and deadbolt

D8-ZN200B -

works with Baton series LT680/683/686 Tubular Latch, that a 52.5 degrees twist of the lever inside unlocks the latch and deadbolt

D8-ZN225 -

works with Baton LT783/786 LS Tubular Latch, that a 28 degrees twist of the lever inside unlocks the latch and deadbolt.



| Stock No. | Retraction  | Latch recommended     | Trim styles      |
|-----------|-------------|-----------------------|------------------|
| D8-ZN200A | 28 degree   | LT583/586/590/883/886 | KK, LL, HK*, HL* |
| D8-ZN200B | 52.5 degree | LT683/686/880         | KK, LL, HK*, HL* |
| D8-ZN225A | 28 degree   | LT783/786 LS          | LL               |

**D8-ZN200**

Remark: \*\* HK/HL - Baton Transfer Unit (LT-RT281A/281B) is to apply



Baton series 'T' Trim, Lever, Knob and Thumb Turn sets as shown on the following pages can be purchased separately to match with the locking mechanisms mentioned on the previous pages. Series or model numbers for specific trims contain complete information.

The first two digits specify the "Series".

- "TA" - Trim sets for matching to series "A" American mortise lock cases
- "TE" - Trim sets for matching to series "E" Euro mortise lock cases
- "TF" - Trim sets for matching to series "F" Euro mortise lock cases
- "TG" - Trim sets for matching to series "G" Euro mortise lock cases
- "TL" - Lever set for using with above mortise lock cases to pair with cylinder rosettes as sectional setup or for series "LT" Tubular Latches
- "TX" - Trim, Knob, Lever or Thumb Turn sets that can possibly be used for all applications mentioned above.

T01

For example:

If a trim set is to match with the Mortise lock case A632HK, you may order the HK (Grip Handle outside/Knob inside) style trim set against the models TA30HK, TA40HK, TA60HK, TA70HK and TA80HK as shown on pages T03 to T10. The "TA" series trim sets are compatible with "A" series Mortise Locks only.

If the mortise lock case features a LL (Lever/Lever) construction, you may choose any model of the LL escutcheons as shown on pages T19 to T20; or, any style of the "TX-LJ" or "TX-LK" Lever sets as showed on page T21 to T23 with a selection of the Thumb Turn sets as shown on page 83 to install as sectional style trim set.

One can modify levers from the "TL" series by simply removing the rosette spring and cam stop, for use on most of the Mortise lock cases that is featured a LL construction.

The page following is a quick reference chart that specifies Trim, Lever, Knob and Thumb Turn sets that can normally be ordered to match with Mortise lock cases or Tubular Latch selections. Mix and match in styles and finishes for some items may be available to order. Please call Baton's CSR for details.

# Trim / Lever Sets Ordering Guide - 2 - Reference Chart

|   |  |   |
|---|--|---|
| <p>Trim Sets available</p> <p>TA30 HH, HK, HL, KK, LL<br/>         TA40 HH, HK, HL, KK, LL<br/>         TA50 KK, LL<br/>         TA60 HH, HK, HL, KK, LL<br/>         TA70 HH, HK, HL, KK, LL<br/>         TA80 HK<br/>         TA91LL, TA95LL, TA96 LL</p> |  | <p>Lock case models / styles to match</p> <p>1) Series A Mortise Lock cases<br/>         A500, A600, A700, A900</p>   |
| <p>Trim Sets</p> <p>TE-G__, TE-H__<br/>         TE-U__, TE-V__, TE-X__</p>  |  | <p>Lock style to match</p> <p>1) Euro Mortise Lock cases<br/>         E600, E700, E900<br/>         Narrow backset E300</p>   |
| <p>Trim Sets</p> <p>TF-B__, TF-D__, TF-E__<br/>         TF-G__, TF-H__</p>  |  | <p>Lock style to match</p> <p>1) F400LL EN certified F Mortise Lock<br/>         2) F518LL Auto Lock</p>  |
| <p>Trim Sets</p> <p>TG-U12-32D</p>  |  | <p>Lock style to match</p> <p>1) G301, G308, G15, G307 Euro Mortise lock cases</p>  |
| <p>Lever Sets</p> <p>TL-C__, TL-M__, TL-N__</p>   |  | <p>Latch &amp; Lock style to match</p> <p>1) Tubular Latch LT200, LT300, LT580, LT595, LT670, LT680, LT780, LT840, LT880 LS/LV<br/>         2) Mortise Lock 'A', 'D', 'E', 'F', 'G', 'K' with optional 'TX' T Turn</p>        |
| <p>Knob &amp; Lever Sets</p> <p>TX-KC__<br/>         TX-LJ__<br/>         TX-LK__</p>   |  | <p>Latch &amp; Lock style to match</p> <p>1) Tubular Latch LT200, LT300, LT580, LT595, LT670, LT680, LT780, LT840, LT880 KS/KV/ LS/LV<br/>         2) Mortise Lock 'A', 'D', 'E', 'F', 'G', 'K' with optional 'TX' T Turn</p> |
| <p>Thumb Turn Sets</p> <p>TX-TA__<br/>         TX-TB__<br/>         TX-TD__</p>   |  | <p>Mortise Bolt &amp; Lock style to match</p> <p>1) Mortise Bolt LT245MB, LT780MB<br/>         2) Interior Mortise Lock 'D'<br/>         3) Mortise Lock 'A', 'E', 'F'<br/>         4) Mortise Deadlock A775</p>              |

T02



Baton Series 'TL' Lever Sets provide the ultimate in elegance, beauty and style. It will accommodate Baton's series 'LT' Tubular Latches. Please refer to pages L01 to L09 for options.

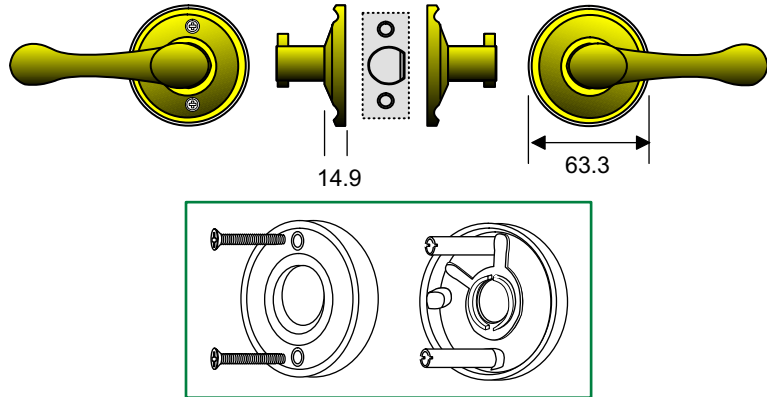
Three styles of Rosettes : Classic (C), Modern Large (M) and Modern Small (N) for your choice to adapt to the 8 styles of elegant Levers as shown on next page.

All rosettes are made of wrought brass and available in the following finishes:

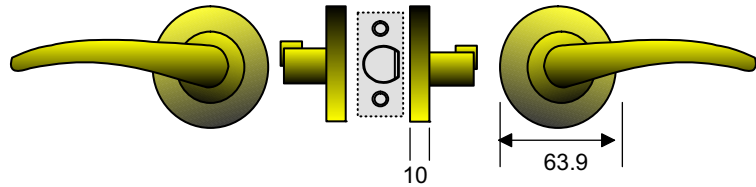
US10B, 15, 15A, 26, 3, 5 & PVD

Hub size: 8mm on square

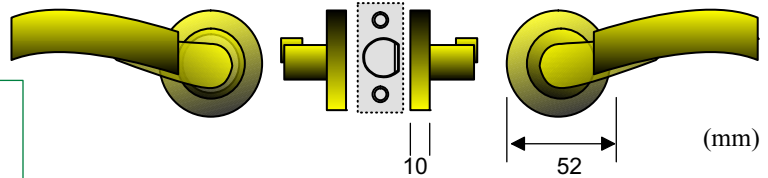
Classic style Rosette



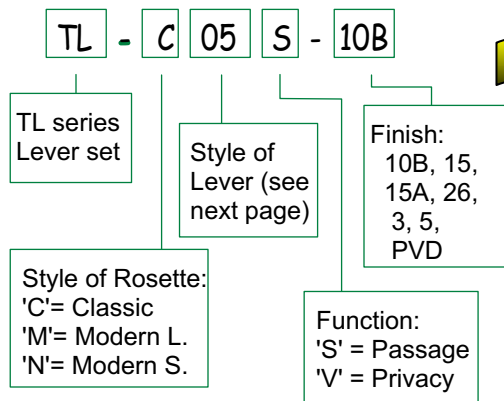
Modern style Rosette (L)



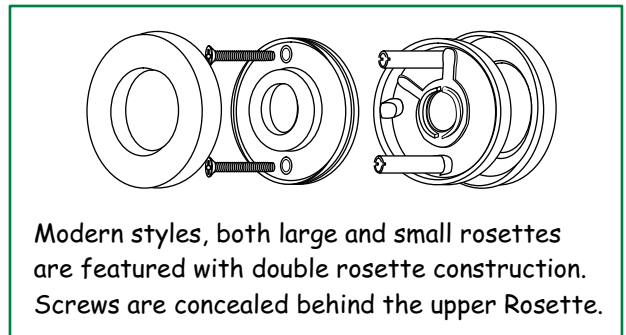
Modern style Rosette (S)



Code Interpretation Guide



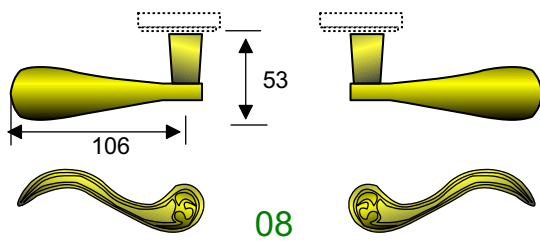
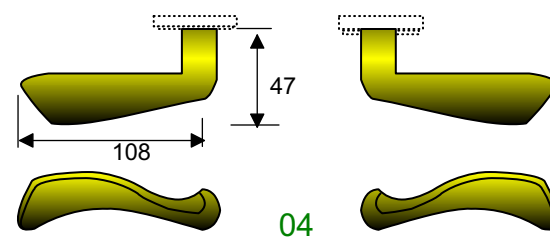
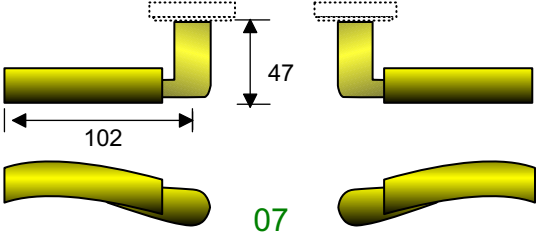
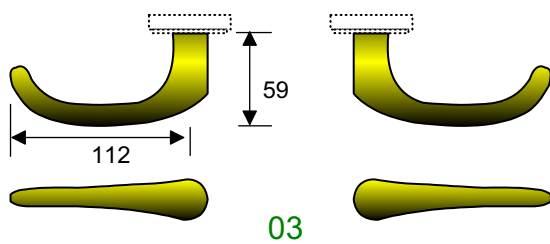
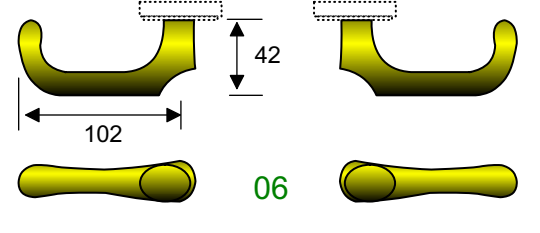
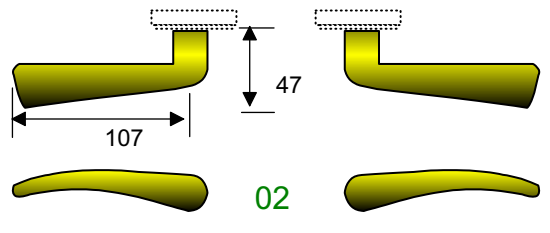
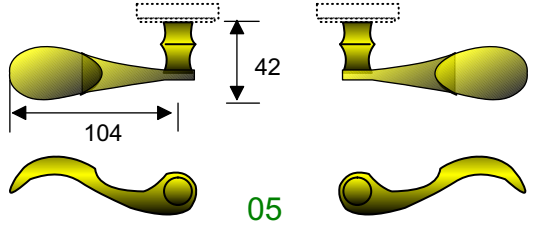
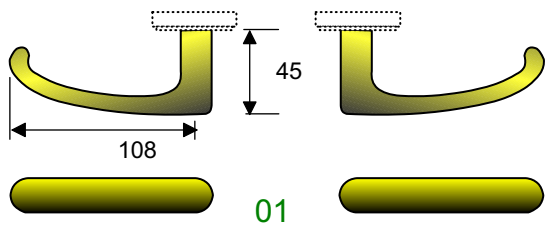
| Model Nos. | Description       | Finish            |
|------------|-------------------|-------------------|
| TL-C__     | 'U' type trim set | ( See next page ) |
| TL-M__     | 'V' type trim set |                   |
| TL-N__     | 'X' type trim set |                   |



Latch is excluded. Please see pages L01~L12 for series 'LT' Passage or Privacy Latch, Mortise Bolt and related accessories.

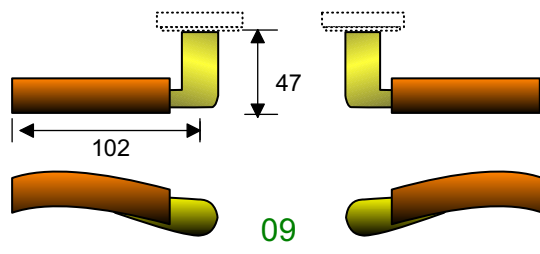
# Forged Brass Classic & Modern Levers for Series 'TL' Lever Sets

The Levers shown below are designed to match with the Classic, Modern Large and Modern Small Rosette of series 'TL' Lever Sets as per described on page left. Various finishes are available to order.



T20

| Model Nos.                           | Material                         | Finish                              |
|--------------------------------------|----------------------------------|-------------------------------------|
| 01, 02, 03,<br>04, 05, 06,<br>07, 08 | Wrought brass                    | 10B, 15,<br>15A, 26,<br>26D, 3, PVD |
| 09                                   | Wrought brass<br>w/mahogany deco | 26, PVD                             |



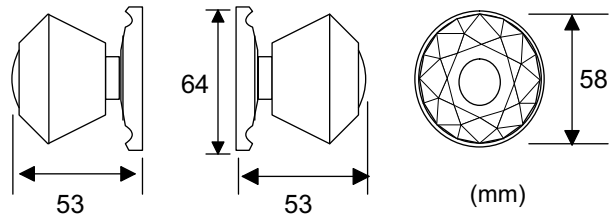
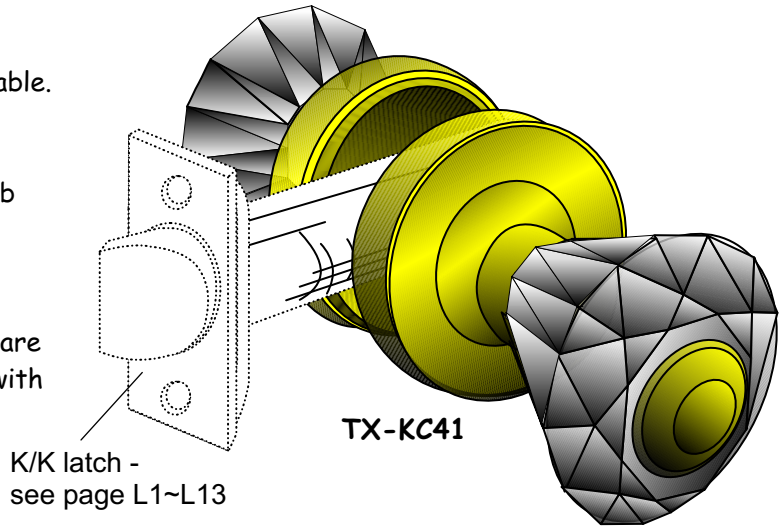
**Series 'TX-K'**  
**Crystal & Brass Knob Sets**

Baton Series 'TX-K' Knob Sets combine style and beauty. Three models are available.

Model TX-KC41 is featured with 2-5/16" Crystal Glass Knobs. The Rosette and knob shank are made of brass. Finish: US26 & PVD

The knob of Models TX-KM53 and KM54 are made of forged brass, and are featured with a double Rosette design. The bolting screws are concealed behind the Snap-On upper Rosette. Both the upper and lower Rosettes are made of wrought brass. Hub size: 8mm on square

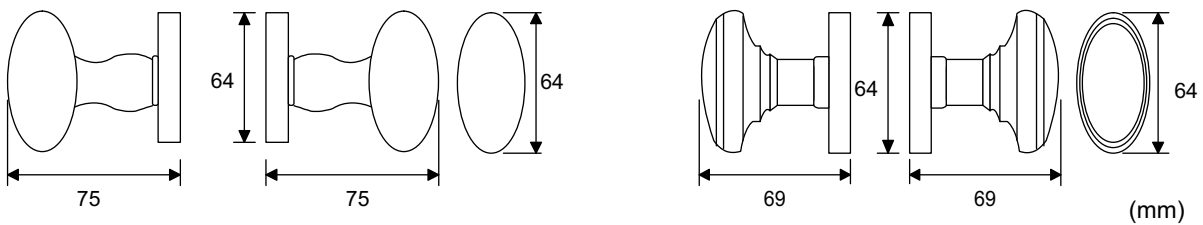
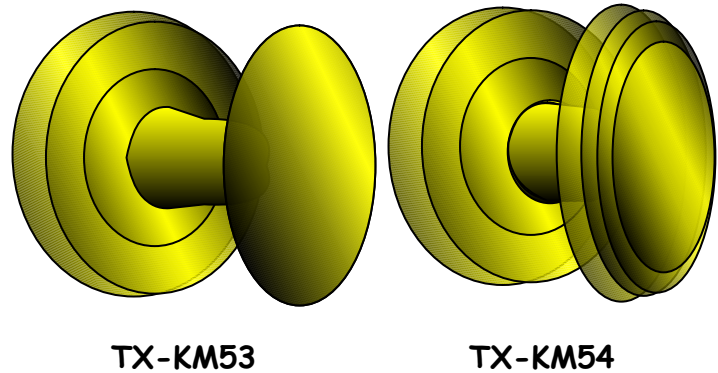
Finishes available :  
US10B, 15, 15A, 26, 3 & PVD



| Model Nos. | Description             |
|------------|-------------------------|
| TX-KC41    | Knob set, Crystal glass |
| TX-KM53    | Knob set, Forged brass  |
| TX-KM54    | Knob set, Forged brass  |

Latch and Mortise Lock case and Spindle are separate purchase items. Please refer to

- a) pages L01~L09 for Series 'LT' Tubular Latches and related accessories
- b) pages A01 to A10 for Series 'A' Mortise Lock Cases and
- c) pages D10, D11 and E01~E13 for Series 'D', 'E', 'F', 'G', 'K' Mortise Lock Cases
- d) page T25 for optional Spindles



Series TX-LJ Lever Sets are featured with Baton's LT-RA281 Rosette Adapter, coupled with stainless steel Rosettes and Levers.

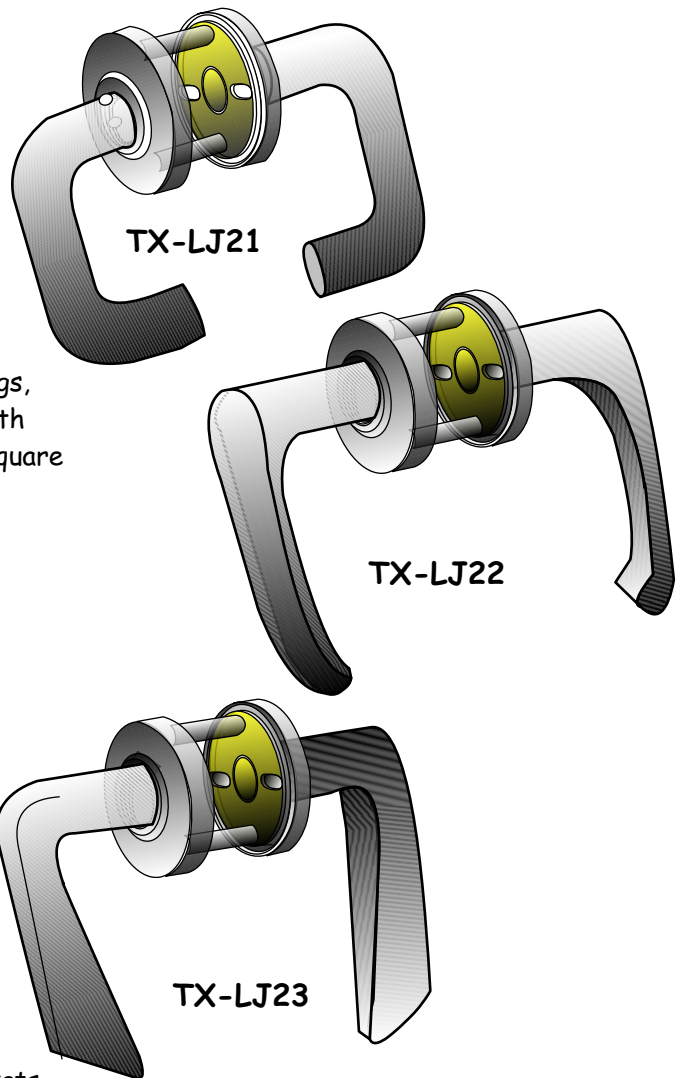
The concealed Mounting screw design allows these Lever sets to be used for series 'A' Mortise Lock, series 'F', 'E' Euro Mortise Lock, series 'D' Mortise Lock and series 'LT' Tubular Latches.

The package comes with 2 nylon spindle bushings, for 7.3mm and 8.0mm spindles, to ensure smooth and long lasting operation. Hub size: 8mm on square. Specify Passage or Privacy when ordering.

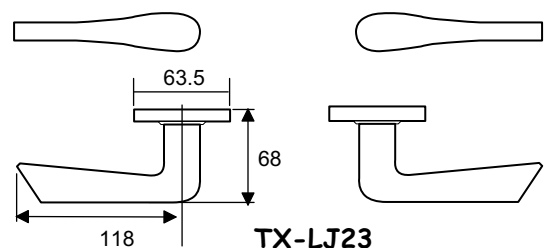
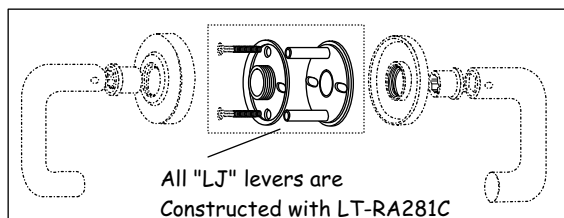
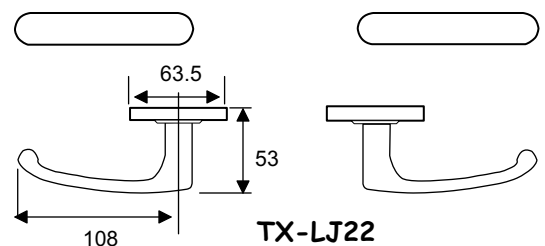
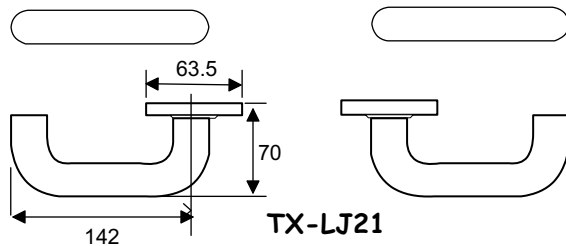
| Stock No. | Description & finish |
|-----------|----------------------|
| TX-LJ21   | Lever set, US32D     |
| TX-LJ22   | Lever Set, US32D     |
| TX-LJ23   | Lever Set, US32D     |

Latch and Mortise Lock case and Spindle are separate purchase items. Please refer to

- a) pages L01~L17 for Series 'LT' Tubular Latches and related accessories
- b) pages A01 to A10 for Series 'A' Mortise Lock Cases and
- c) pages D10, D11 and E01~E13 for Series 'D', 'E', 'F', 'G', 'K' Mortise Lock Cases
- d) page X01~X02 for optional Spindles & brackets



**T22**



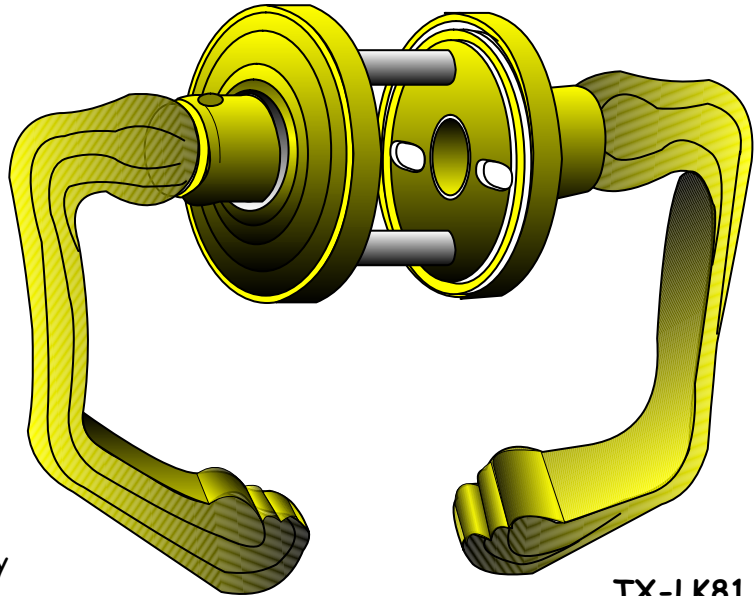


**Model TX-LK81 Classic Lever Set  
- Solid Stainless Steel**

Baton Series TX-LK81 Lever Set combines elegance and classic beauty. The investment casting stainless steel solid Lever and 2mm thick Rosette are constructed with Baton's plug type Rosette Adapter (LT-RA281D). Bolting screws are concealed, and coupled with unmatched style and reliability.

The 1-1/2" center to center threaded post works with Series 'LT' Tubular Latch and Series 'A' Mortise Lock cases.

Hub size: 8mm on square. Please refer to page 83 for optional Spindles. Specify Passage or Privacy when ordering.

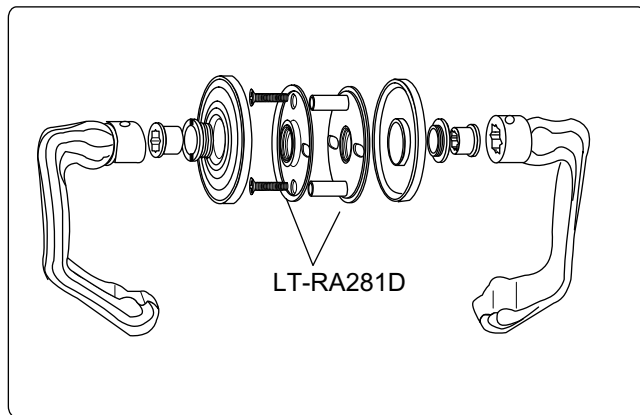


**TX-LK81**

**T23**

**Finishes:**

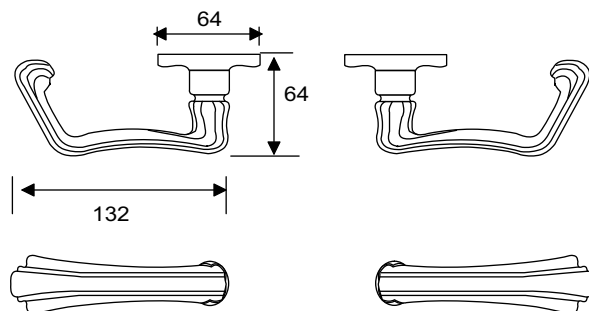
- US32     Bright polished stainless steel
- US32D     Satin stainless steel
- ZG32     Bright polished stainless steel and Zirconium/Gold
- ZG32D     Satin stainless steel and Zirconium/Gold



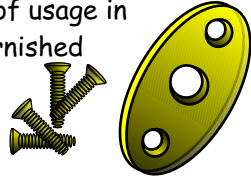
| Sock No. | Description       |
|----------|-------------------|
| TX-LK81  | Classic Lever Set |

*Latch and Mortise Lock case and Spindle are separate purchase items. Please refer to*

- a) pages L01~L09 for Series 'LT' Tubular Latches and related accessories
- b) pages A01 to A10 for Series 'A' Mortise Lock Cases and
- c) pages D10, D11 and E01~E13 for Series 'D', 'E', 'F', 'G', 'K' Mortise Lock Cases
- d) page T25 for optional Spindles



Baton series 'TX-T' Thumb Turns are made of forged brass. The optional 5mm square and breakable flat style steel spindles provide a wide range of usage in many applications. Furnished with front plate and mounting screws.



Finishes available:

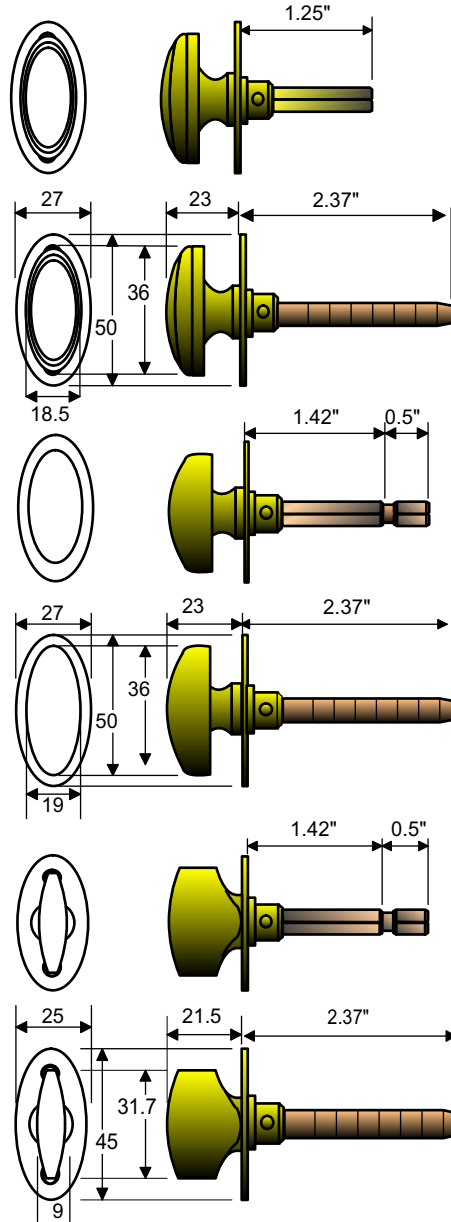
- TA - US10B, 15, 15A, 19, 26, 3
- TB - US10B, 15, 26, 26D, 3, 3N
- TD - US15, 26D, 3, 3N



**Spindle and snapable Tails**

Dia 4.4 x 6.7mm

- TX-ZS5-165: 1.15" length, 0.5" tail, 4.95mm diameter
- TX-ZT6-235: 2.35" length, 5.5mm width
- TX-ZT7-235: 2.35" length, 6.4mm width
- TX-ZT8-351: 3.5" length, 6.9mm width



- ◆ TX-TA 5D - 5mm/ Diamond
- TX-TA 5S - 5mm/Square
- ▬ TX-TA 6V - 0.215" (5.5mm)
- ▬ TX-TA 7V - 0.25" (6.4mm)
- ◆ TX-TB 5D - 5mm/ Diamond
- TX-TB 5S - 5mm/Square
- ▬ TX-TA 6V - 0.215" (5.5mm)
- ▬ TX-TA 7V - 0.25" (6.4mm)
- ◆ TX-TD 5D - 5mm/ Diamond
- TX-TD 5S - 5mm/Square
- ▬ TX-TA 6V - 0.215" (5.5mm)
- ▬ TX-TA 7V - 0.25" (6.4mm)

**T24**

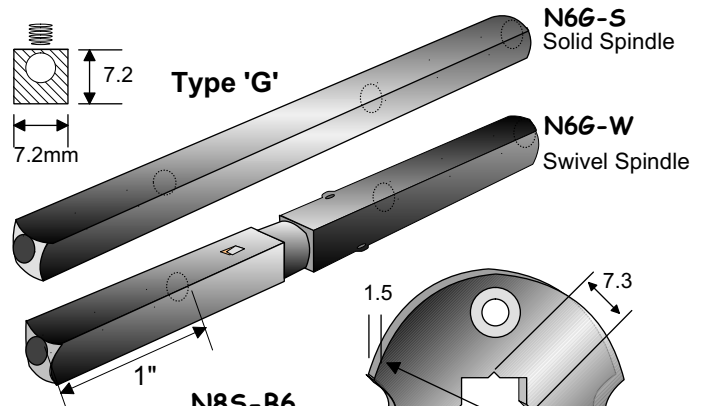
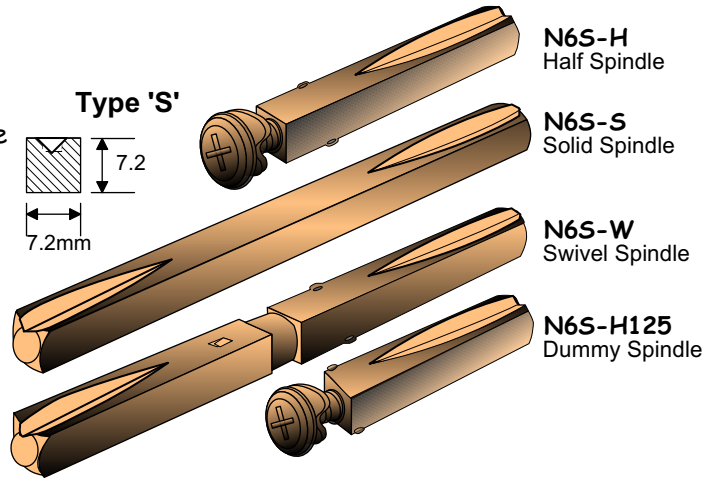
| Model Nos.                       | Spindle type           | Hub styles to fit | Baton products to fit  |
|----------------------------------|------------------------|-------------------|--|
| TX-TA 5D<br>TX-TB 5D<br>TX-TD 5D | 5mm on Diamond ◆       |                   | Mortise lock case series A & C, D<br>Mortise bolts LT245MB, LT780/783/786MB<br>Dead bolt latch D400-DA/DB/DC/DF/DH |
| TX-TA 5S<br>TX-TB 5S<br>TX-TD 5S | 5mm on Square ■        |                   | LT245MB and Euro style latch/bolt<br>comes with 5mm on square hub  |
| TX-TA 6V<br>TX-TB 6V<br>TX-TD 6V | 0.215" W on Vertical ▬ |                   | Mortise lock case series A, Hook lock<br>C275HX, Mortise bolt LT245MB, LT780/<br>783/786 w/5mm on Diamond hub      |
| TX-TA 7V<br>TX-TB 7V<br>TX-TD 7V | 0.25" W. on Vertical ▬ |                   | Mortise lock cases seroes D500, D600<br>Deadbolt latches D4  |

# Series 'N6S'/'N6G' Spindles, Spindle Bracket and Dummy Units

## Spindles

Baton's series 'N6S' and 'N6G' Spindles are made of wrought steel for 7.3mm hub. Available with the following models:

- Half Spindle -  
for Grip Handle on one side with interior Knob/Lever trim (HL or HK).
- Solid Spindle -  
one piece construction, for Passage.
- Swivel Spindle -  
for Privacy and Entrance.



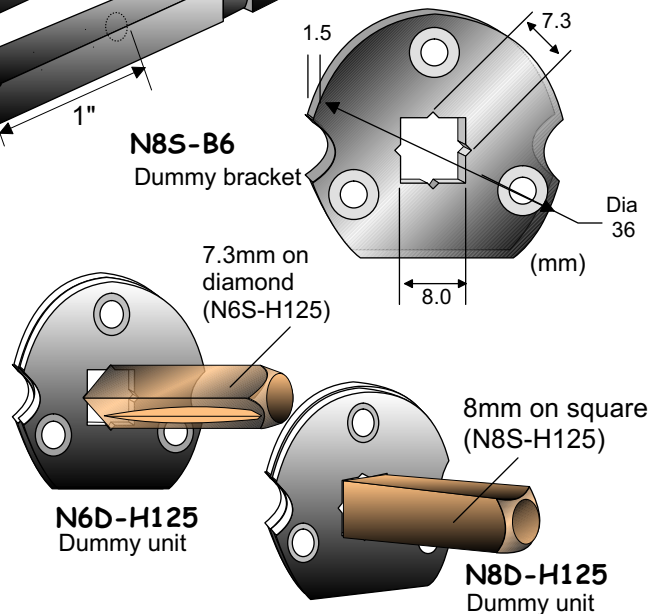
| Stock No. |          | Description         |
|-----------|----------|---------------------|
| Type S    | Type G   |                     |
| N6S-H125  | -----    | Dummy Spindle 1.25" |
| N6S-H275  | -----    | Half Spindle 2.75"  |
| -----     | N6G-S400 | Solid Spindle 4"    |
| N6S-S450  | N6G-S450 | Solid Spindle 4.5"  |
| N6S-S500  | -----    | Solid Spindle 5"    |
| N6S-W400  | N6G-W400 | Swivel Spindle 4"   |
| N6S-W450  | N6G-W450 | Swivel Spindle 4.5" |
| N6S-W500  | -----    | Swivel Spindle 5"   |

X01

## Dummy Bracket

Dummy bracket is made of Stainless steel, formed with 7.3mm on diamond plus 8mm on square broaching, can be accommodated with both 7.3mm or 8.0mm spindles:

- a) Half Spindle for single side dummy trim
- b) Solid Spindle for double side dummy trim
- c) Swivel Spindle for one side dummy other side active

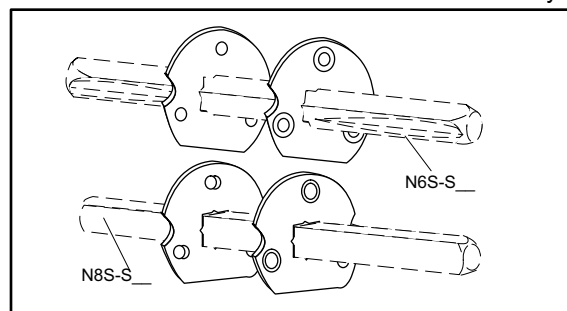


## Dummy Units

To fix with N6S-H125 on diamond or N8S-H125 on double thick dummy bracket as Dummy unit.

Furnished with 3/4" wood screws x 3

| Stock No. | Description                             |
|-----------|---|
| N8S-B6    | Spindle Bracket, for 7.3 & 8mm Spindles |
| N6D-H125  | Dummy Unit w/ 7.3 mm x 1.25" spindle    |
| N8D-H125  | Dummy Unit w/ 8mm x 1.25" spindle       |

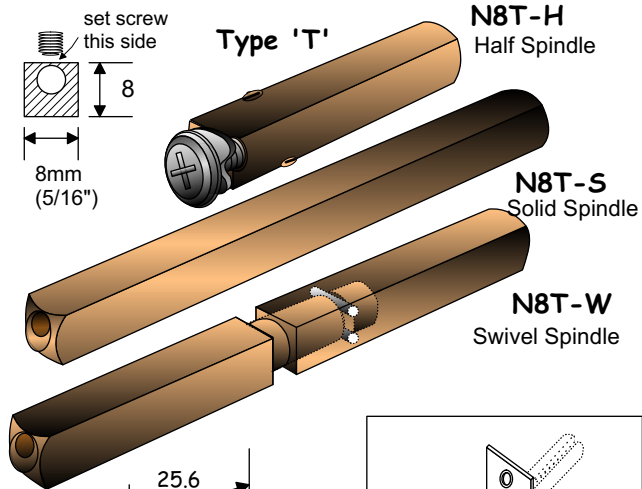
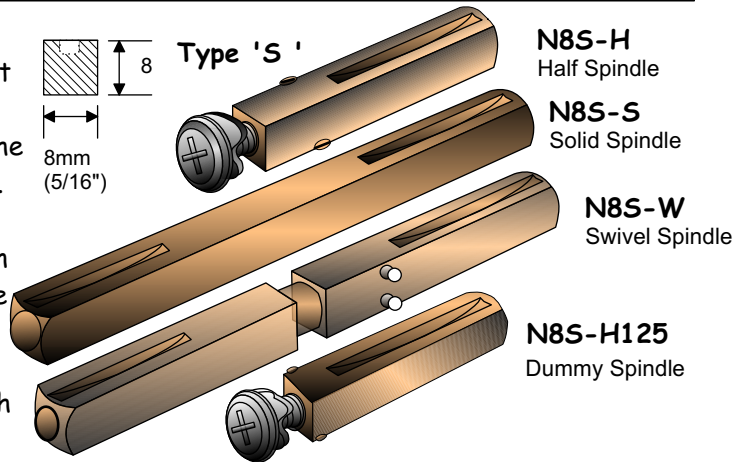


# Series 'N8' Spindle, Dummy Bracket Hub Sleeve - 8mm

## Spindles

Baton's series 'N' Spindles are made of wrought steel for 8mm hub. Two styles are available: 'NS' Spindles feature groove cut, facilitating the set screw of Knob/Lever mount without slipping. 'NT' Spindles feature a 7/16" off-center hole drilled to allow the pointed set screw to stick on to the spindle. Both styles are available with the following models:

- Dummy Spindle
- Half Spindle - for Grip Handle on one side with interior Knob/Lever trim (HL or HK).
- Solid Spindle - one piece construction, for Passage.
- Swivel Spindle - for Privacy and Entrance.



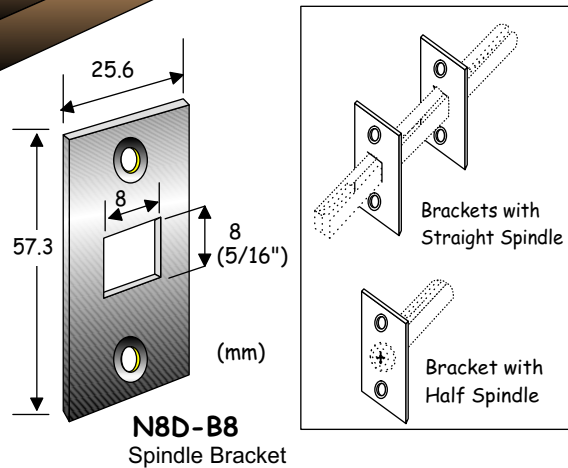
| Stock No. |           | Description           |
|-----------|-----------|-----------------------|
| Type S    | Type T    |                       |
| N8S-H 125 | -----     | Dummy Spindle 1.25"   |
| N8S-H 275 | -----     | Half Spindle 2.5"     |
| -----     | N8T-H 350 | Half Spindle 3.5"     |
| N8S-S 400 | N8T-S 400 | Solid Spindle 4"      |
| -----     | N8T-S 437 | Solid Spindle 4.375"  |
| N8S-S 450 | -----     | Solid Spindle 4.5"    |
| N8S-S 500 | N8T-S 500 | Solid Spindle 5"      |
| -----     | N8T-S 700 | Solid Spindle 7"      |
| N8S-W 400 | N8T-W 400 | Swivel Spindle 4"     |
| -----     | N8T-W 437 | Swivel Spindle 4.375" |
| N8S-W 450 | N8T-W 450 | Swivel Spindle 4.5"   |
| NS8-W 500 | N8T-W 500 | Swivel Spindle 5"     |
| -----     | N8T-W 700 | Swivel Spindle 7"     |

**X02**

## Spindle Bracket- for Dummy trim

Stainless steel, can be accommodated with

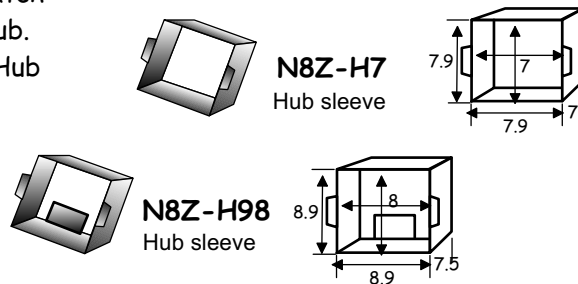
- Half Spindle for single side dummy trim mount,
- Straight Spindle for double side dummy trim mount, or c) Swivel Spindle for one side dummy and other side active.



## Hub Sleeve 7x7mm

- for converting a mortise lock case or Tubular Latch to take a 7x7mm spindle from a regular 8mm Hub.
- For the split hub application, simply insert the Hub Sleeve from each side of the Hubs.

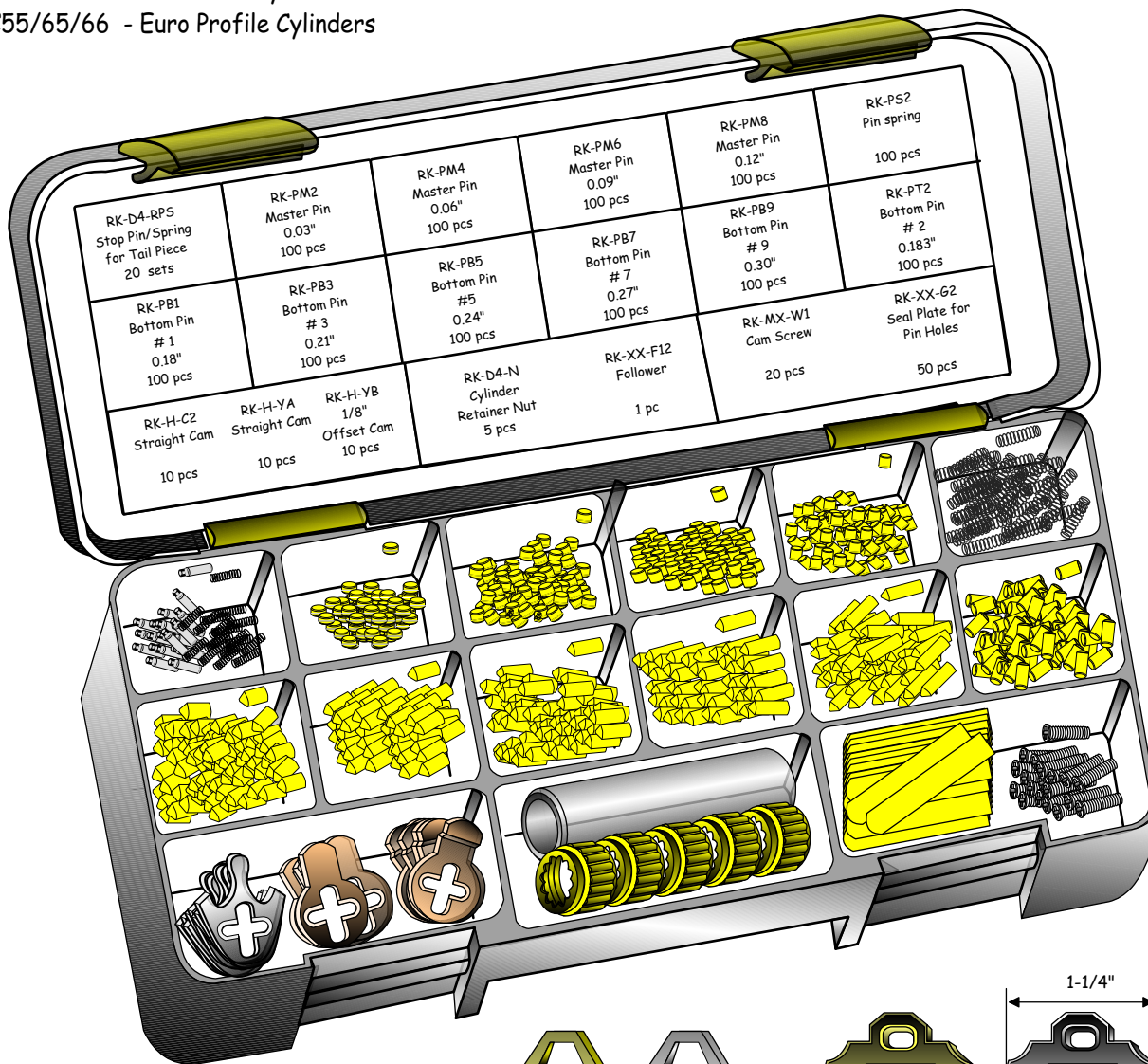
| Stock No. | Description                        |
|-----------|------------------------------------|
| N8D-B8    | Spindle Bracket, w/2 screws        |
| N8Z-H7    | Hub Sleeve 8mm hub to 7mm spindle  |
| N8Z-H98   | Hub Sleeve 9mm hub for 8mm spindle |





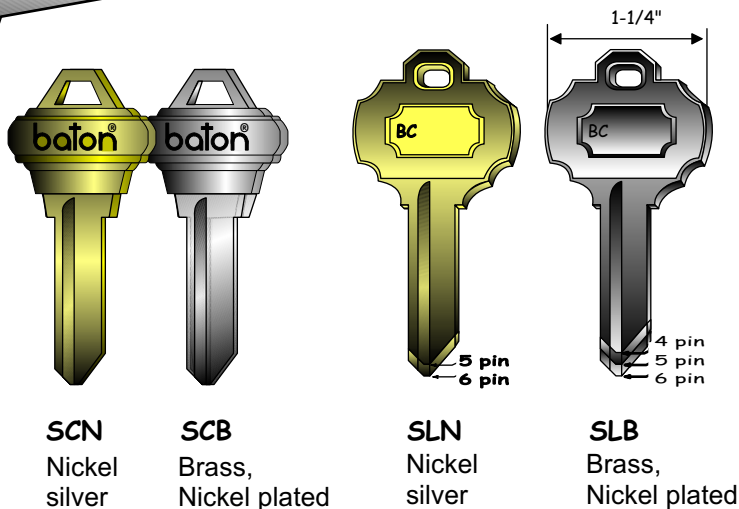
# Model RK-20 Rekeying Kit & SB/SL Key Blanks

This rekeying pin kit is designed for Baton cylinders that are stamped with 'BC' code or other compatible cylinders.  
 AC29/30/31 - Mortise Cylinders, D400-AK5/AK6 - Key in knob Cylinders  
 D400-AS/AD - Deadbolt Cylinders D421/422/461/462 - Deadbolts  
 EC55/65/66 - Euro Profile Cylinders



X03

| Stock No.  | Description                |
|------------|----------------------------|
| RK-20      | Rekeying Pin Kit           |
| RK-SCB-KB6 | 6 pin, brass/nickel plated |
| RK-SCN-KB6 | 6 pin, nickel silver       |
| RK-SLB-KB4 | 4 pin, brass/nickel plated |
| RK-SLB-KB5 | 5 pin, brass/nickel plated |
| RK-SLB-KB6 | 6 pin, brass/nickel plated |
| RK-SLN-KB5 | 5 pin, nickel silver       |
| RK-SLN-KB6 | 6 pin, nickel silver       |



**SCN**  
Nickel silver

**SCB**  
Brass, Nickel plated

**SLN**  
Nickel silver

**SLB**  
Brass, Nickel plated

# Model RK-20D Rekeying Kit

This rekeying pin kit is designed for the Baton cylinder that is constructed with 2.5mm in diameter pins:

AC26 - Mortise Cylinders

EC-51/52 Euro Profile Cylinder

5310 - Lockblock/Hotel Safe Lock



**X04**

| Stock No.           | Description   |
|---------------------|---|
| RK-20D<br>RK-F7-KB6 | Rekeying Pin Kit - dimple system<br>Key blank, f/5300 and AC26, nickel silver |

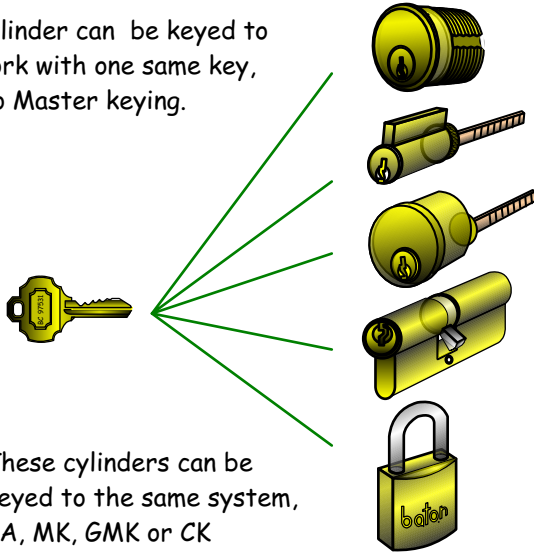


RK-F7-KB6  
Key blank

Baton's series 'AC', 'D4' and 'EC' cylinders that are constructed with 'Schlage-C' keyway, can be keyed to Keyed Alike (KA), Master Keying (MK), Grand Master Keying (GMK) or Construction Keying (CK1, CK2). Please call our CSR for the details.

## KA - Keyed Alike - one key fits all

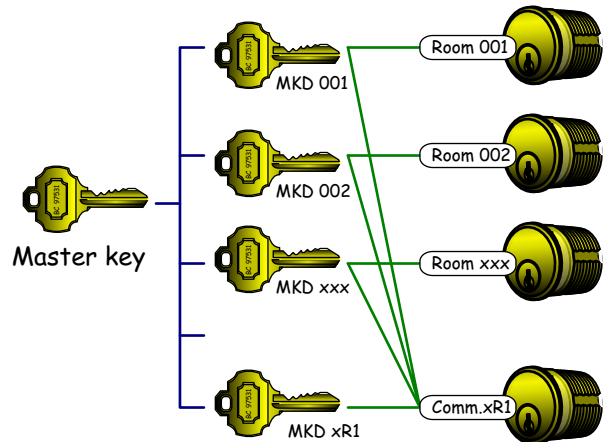
Cylinder can be keyed to work with one same key, No Master keying.



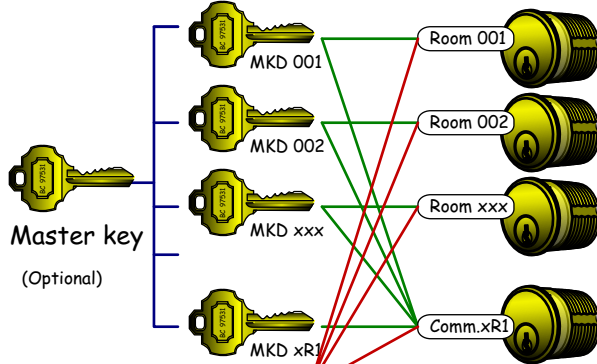
These cylinders can be keyed to the same system, KA, MK, GMK or CK

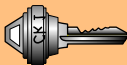
## MK - Master Keying


Each lock is operative with it's own key; the management has one key that operates all locks within the system



## CK - Construction Keying

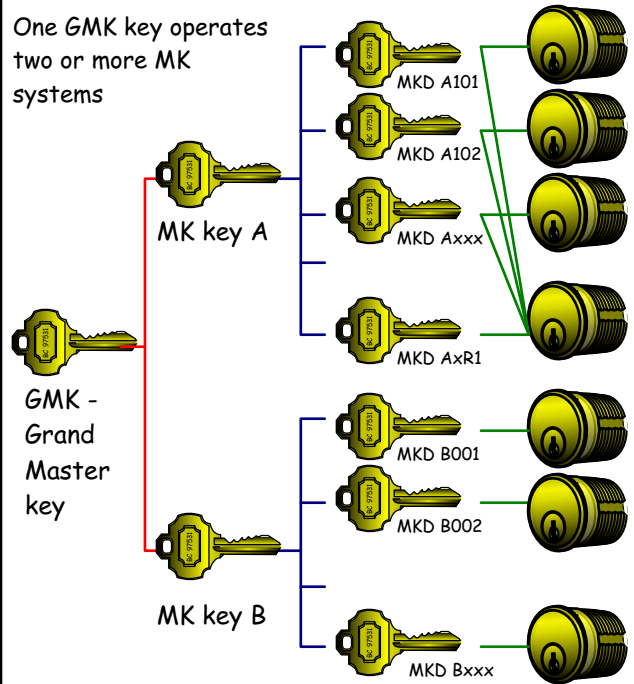


 Construction key - Level 1  
Voided after any of the Construction key Level 2, individual key, or Master key is operated

 Construction key - Level 2  
Voids the construction key Level 1. Voided after the individual key or MK key is operated.

## GMK - Grand Master Keying

One GMK key operates two or more MK systems



# Measurement Chart - Inch vs. MM

| Inch   |         | MM      |
|--------|---------|---------|
| 1/16"  | 0.0625" | 1.5875  |
| 1/8"   | 0.1250" | 3.1750  |
| 3/16"  | 0.1875" | 4.7625  |
| 1/4"   | 0.2500" | 6.3500  |
| 5/16"  | 0.3125" | 7.9375  |
| 3/8"   | 0.3750" | 9.5250  |
| 7/16"  | 0.4375" | 11.1125 |
| 1/2"   | 0.5000" | 12.7000 |
| 9/16"  | 0.5625" | 14.2875 |
| 5/8"   | 0.6250" | 15.8750 |
| 11/16" | 0.6875" | 17.4625 |
| 3/4"   | 0.7500" | 19.0500 |
| 13/16" | 0.8125" | 20.6375 |
| 7/8"   | 0.8750" | 22.2250 |
| 15/16" | 0.9375" | 23.8125 |
| 1"     | 1.0000" | 25.4000 |

| Inch     |         | MM      |
|----------|---------|---------|
| 1-1/16"  | 1.0625" | 26.9875 |
| 1-1/8"   | 1.1250" | 28.5750 |
| 1-3/16"  | 1.1875" | 30.1625 |
| 1-1/4"   | 1.2500" | 31.7500 |
| 1-5/16"  | 1.3125" | 33.3375 |
| 1-3/8"   | 1.3750" | 34.9250 |
| 1-7/16"  | 1.4375" | 36.5125 |
| 1-1/2"   | 1.5000" | 38.1000 |
| 1-9/16"  | 1.5625" | 39.6875 |
| 1-5/8"   | 1.6250" | 41.2750 |
| 1-11/16" | 1.6875" | 42.8625 |
| 1-3/4"   | 1.7500" | 44.4500 |
| 1-13/16" | 1.8125" | 46.0375 |
| 1-7/8"   | 1.8750" | 47.6250 |
| 1-15/16" | 1.9375" | 49.2125 |
| 2"       | 2.0000" | 50.8000 |

| Inch     |         | MM      |
|----------|---------|---------|
| 2-1/16"  | 2.0625" | 52.3875 |
| 2-1/8"   | 2.1250" | 53.9750 |
| 2-3/16"  | 2.1875" | 55.5625 |
| 2-1/4"   | 2.2500" | 57.1500 |
| 2-5/16"  | 2.3125" | 58.7375 |
| 2-3/8"   | 2.3750" | 60.3250 |
| 2-7/16"  | 2.4375" | 61.9125 |
| 2-1/2"   | 2.5000" | 63.5000 |
| 2-9/16"  | 2.5625" | 65.0875 |
| 2-5/8"   | 2.6250" | 66.6750 |
| 2-11/16" | 2.6875" | 68.2625 |
| 2-3/4"   | 2.7500" | 69.8500 |
| 2-13/16" | 2.8125" | 71.4375 |
| 2-7/8"   | 2.8750" | 73.0250 |
| 2-15/16" | 2.9375" | 74.6125 |
| 3"       | 3.0000" | 76.2000 |

| Inch     |         | MM       |
|----------|---------|----------|
| 3-1/16"  | 3.0625" | 77.7875  |
| 3-1/8"   | 3.1250" | 79.3750  |
| 3-3/16"  | 3.1875" | 80.9625  |
| 3-1/4"   | 3.2500" | 82.5500  |
| 3-5/16"  | 3.3125" | 84.1375  |
| 3-3/8"   | 3.3750" | 85.7250  |
| 3-7/16"  | 3.4375" | 87.3125  |
| 3-1/2"   | 3.5000" | 88.9000  |
| 3-9/16"  | 3.5625" | 90.4875  |
| 3-5/8"   | 3.6250" | 92.0750  |
| 3-11/16" | 3.6875" | 93.6625  |
| 3-3/4"   | 3.7500" | 95.2500  |
| 3-13/16" | 3.8125" | 96.8375  |
| 3-7/8"   | 3.8750" | 98.4250  |
| 3-15/16" | 3.9375" | 100.0125 |
| 4"       | 4.0000" | 101.6000 |

| Inch     |         | MM       |
|----------|---------|----------|
| 4-1/16"  | 4.0625" | 103.1875 |
| 4-1/8"   | 4.1250" | 104.7750 |
| 4-3/16"  | 4.1875" | 106.3625 |
| 4-1/4"   | 4.2500" | 107.9500 |
| 4-5/16"  | 4.3125" | 109.5375 |
| 4-3/8"   | 4.3750" | 111.1250 |
| 4-7/16"  | 4.4375" | 112.7125 |
| 4-1/2"   | 4.5000" | 114.3000 |
| 4-9/16"  | 4.5625" | 115.8875 |
| 4-5/8"   | 4.6250" | 117.4750 |
| 4-11/16" | 4.6875" | 119.0625 |
| 4-3/4"   | 4.7500" | 120.6500 |
| 4-13/16" | 4.8125" | 122.2375 |
| 4-7/8"   | 4.8750" | 123.8250 |
| 4-15/16" | 4.9375" | 125.4125 |
| 5"       | 5.0000" | 127.0000 |

| Inch     |         | MM       |
|----------|---------|----------|
| 5-1/16"  | 5.0625" | 128.5875 |
| 5-1/8"   | 5.1250" | 130.1750 |
| 5-3/16"  | 5.1875" | 131.7625 |
| 5-1/4"   | 5.2500" | 133.3500 |
| 5-5/16"  | 5.3125" | 134.9375 |
| 5-3/8"   | 5.3750" | 136.5250 |
| 5-7/16"  | 5.4375" | 138.1125 |
| 5-1/2"   | 5.5000" | 139.7000 |
| 5-9/16"  | 5.5625" | 141.2875 |
| 5-5/8"   | 5.6250" | 142.8750 |
| 5-11/16" | 5.6875" | 144.4625 |
| 5-3/4"   | 5.7500" | 146.0500 |
| 5-13/16" | 5.8125" | 147.6375 |
| 5-7/8"   | 5.8750" | 149.2250 |
| 5-15/16" | 5.9375" | 150.8125 |
| 6"       | 6.0000" | 152.4000 |

X06



- The Lock Company